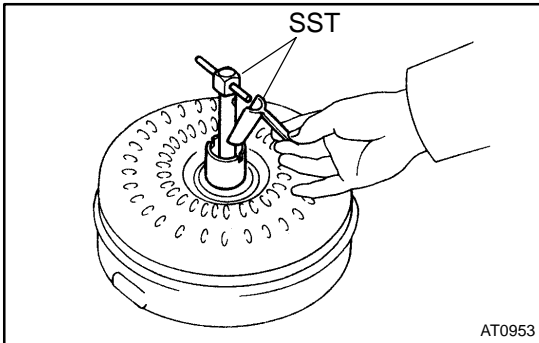


TORQUE CONVERTER CLUTCH AND DRIVE PLATE INSPECTION

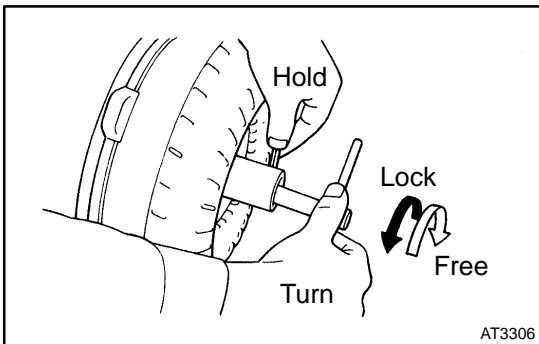
AT000-05

1. INSPECT ONE-WAY CLUTCH

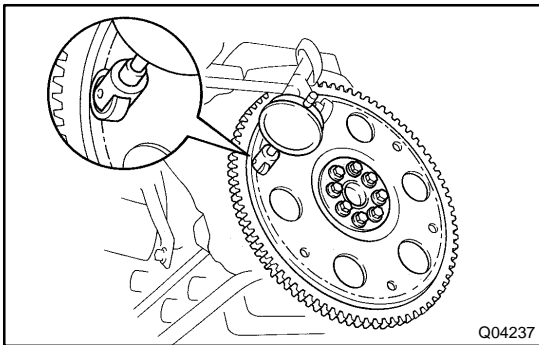
(a) Install SST in the inner race of one-way clutch.
SST 09350-30020 (09351-32010)



(b) Install SST so that it fits in the notch of the converter hub and outer race of the one-way clutch.
SST 09350-30020 (09351-32010 09351-32020)



(c) With the torque converter clutch standing on its side, check that the clutch locks when turned counterclockwise, and rotates freely and smoothly clockwise.
If necessary, clean the converter clutch and retest the clutch.
Replace the converter clutch if the clutch still fails the test.



2. MEASURE DRIVE PLATE RUNOUT AND INSPECT RING GEAR

Set up a dial indicator, measure drive plate runout.

Maximum runout: 0.20 mm (0.0079 in.)

If runout is not within the specification, replace the drive plate.
If installing a new drive plate, note the orientation of spacers and tight the bolts.

Torque:

3RZ-FE: 74 N·m (750 kgf·cm, 54 ft·lbf)

5VZ-FE: 83 N·m (850 kgf·cm, 61 ft·lbf)

3. MEASURE TORQUE CONVERTER CLUTCH SLEEVE RUNOUT

Temporarily mount the torque converter clutch to the drive plate. Set up a dial indicator.

Maximum runout: 0.30 mm (0.0118 in.)

If runout is not within the specification, try to correct by reorienting the installation of the torque converter clutch.

HINT:

Mark the position of the torque converter clutch to ensure correct installation.

