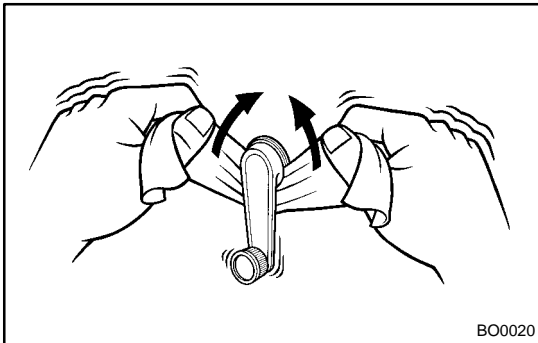


## DISASSEMBLY

### HINT:

Tape the screwdriver tip, before using to pry parts.

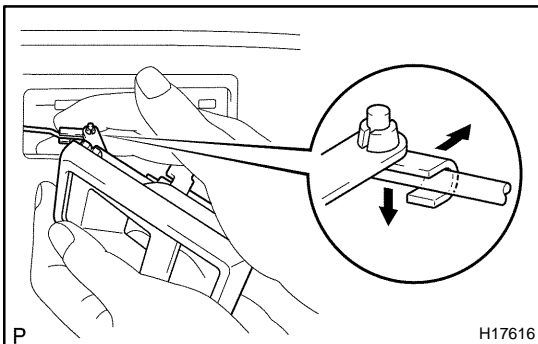


### 1. w/o Power window: REMOVE REGULATOR HANDLE

Pull off the snap ring with a cloth and remove the regulator handle and plate.

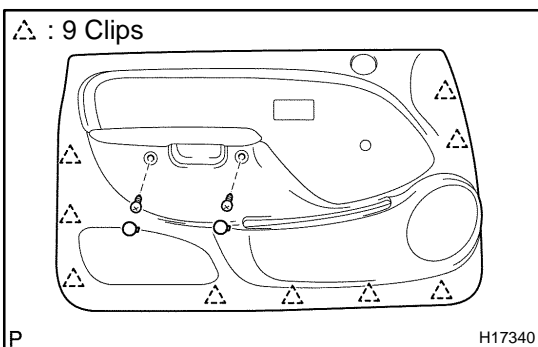
### HINT:

At the time of reassembly, install the plate and regulator handle with the snap ring when the window glass is fully closed.



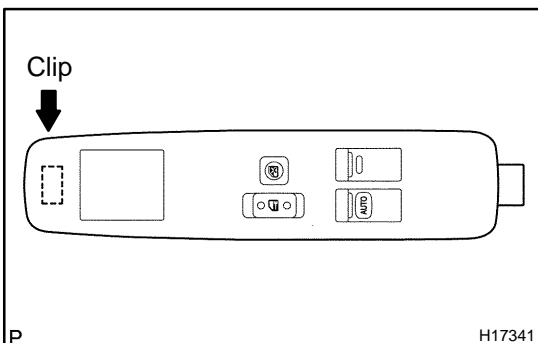
### 2. REMOVE DOOR INSIDE HANDLE

- (a) Remove the screw and slide the handle forward.
- (b) Disconnect the handle from the control link and remove the handle.



### 3. REMOVE DOOR TRIM

- (a) Remove the 2 caps and 2 screws.
- (b) Using a screwdriver, remove the door trim upward then disconnect the connectors.



- (c) w/ Power window:  
Using a screwdriver, pry the forward of armrest panel and remove the panel.
- (d) w/ Tweeter speaker:  
Remove the 2 screws and tweeter speaker.

### 4. REMOVE FRONT SPEAKER

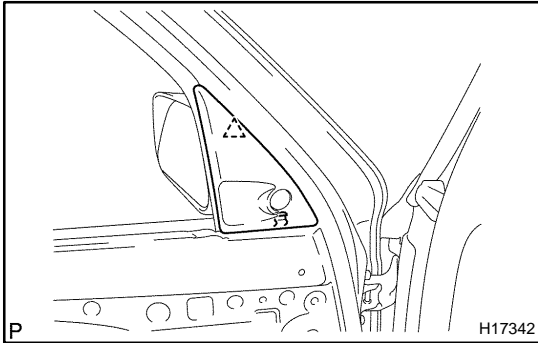
Disconnect the connector, remove the 5 screws and speaker.

### 5. REMOVE SERVICE HOLE COVER

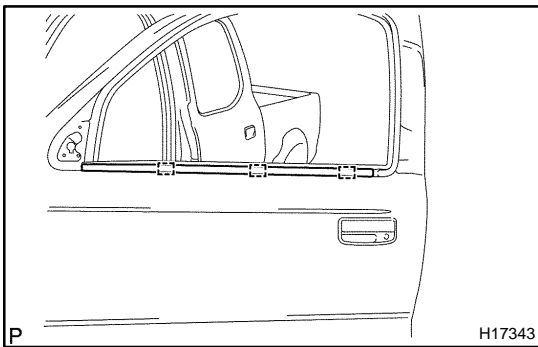
Disconnect the wire harness and remove the 2 grommets and service hole cover.

**HINT:**

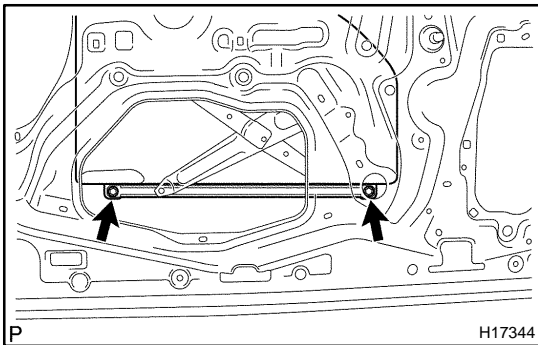
At the time of reassembly, bring out the link and connector through the service hole cover.

**6. REMOVE OUTER REAR VIEW MIRROR**

- (a) w/ Remote control:  
Remove the cover and disconnect the connector.
- (b) w/o Remote control:  
Remove the screw, lever and cover.
- (c) Remove the 3 nuts and outer rear view mirror.

**7. REMOVE OUTER WEATHERSTRIP**

Using a screwdriver, remove the outer weatherstrip and 3 clips.

**8. REMOVE GLASS RUN****9. REMOVE DOOR GLASS**

- (a) Open the door glass until the 2 bolts of the window glass appear in the service hole.

- (b) Remove the 2 bolts and door glass.

**Torque: 5.0 N·m (50 kgf·cm, 43 in.-lbf)**

**10. REMOVE FRONT LOWER FRAME**

- (a) Remove the bolt, nut and front lower frame.

- (b) Remove the lower glass run.

**11. REMOVE REAR LOWER FRAME**

- (a) Remove the bolt, nut, and rear lower frame.

- (b) Remove the lower glass run.

**12. REMOVE WINDOW REGULATOR**

- (a) w/o Power window:

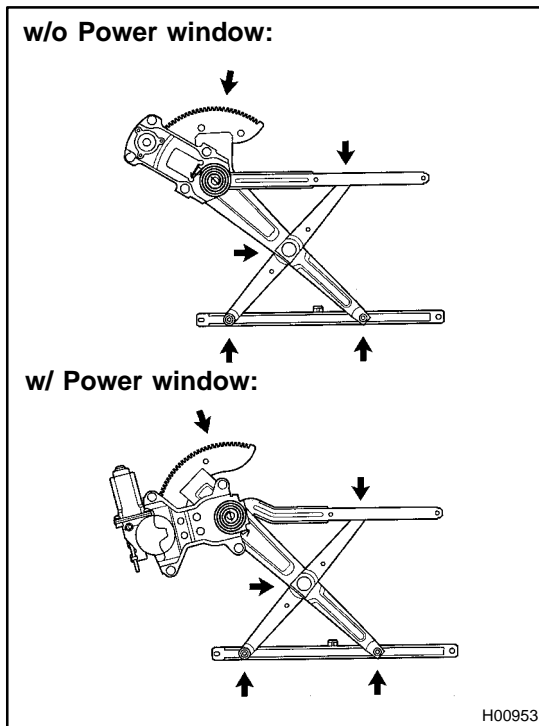
Remove the 5 bolts and regulator.

**Torque: 5.0 N·m (50 kgf·cm, 43 in.-lbf)**

- (b) w/ Power window:

Disconnect the connector and remove the 6 bolts and window regulator.

**Torque: 5.0 N·m (50 kgf·cm, 43 in.-lbf)**

**HINT:**

At the time of reassembly, apply MP grease to the window regulator rollers.

**NOTICE:**

**At the time of reassembly, do not apply grease to the spring of the window regulator.**

**13. REMOVE DOOR LOCK**

- (a) Disconnect the 2 links from the outside handle.
- (b) w/ Power door lock:  
Disconnect the connector.
- (c) Remove the 3 screws and door lock.

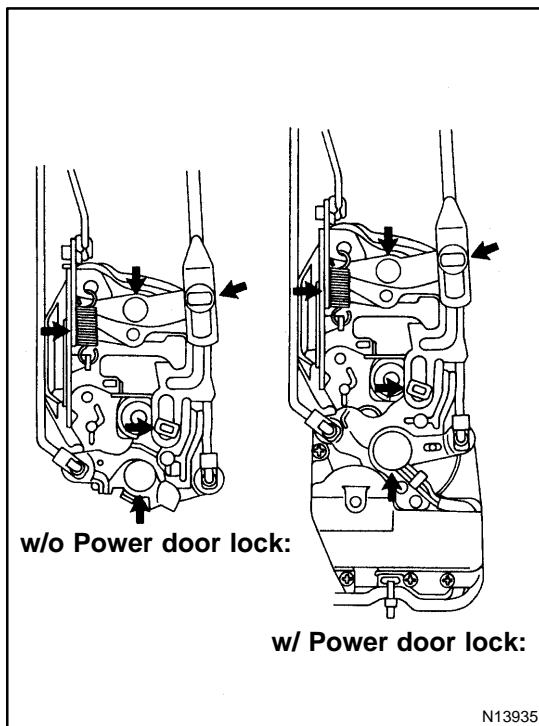
**Torque: 5.0 N·m (50 kgf·cm, 43 in.-lbf)**

**HINT:**

At the time of reassembly, please refer to following items.

- Apply adhesive to the 3 screws.

**Part No.08833-00070, THREE BOND 1324 or equivalent**



- Apply MP grease to the sliding and rotating parts of the door lock.

**14. REMOVE OUTSIDE HANDLE**

- (a) Remove the 2 bolts.

**Torque: 5.0 N·m (50 kgf·cm, 43 in.-lbf)**

- (b) Remove the lock cylinder.