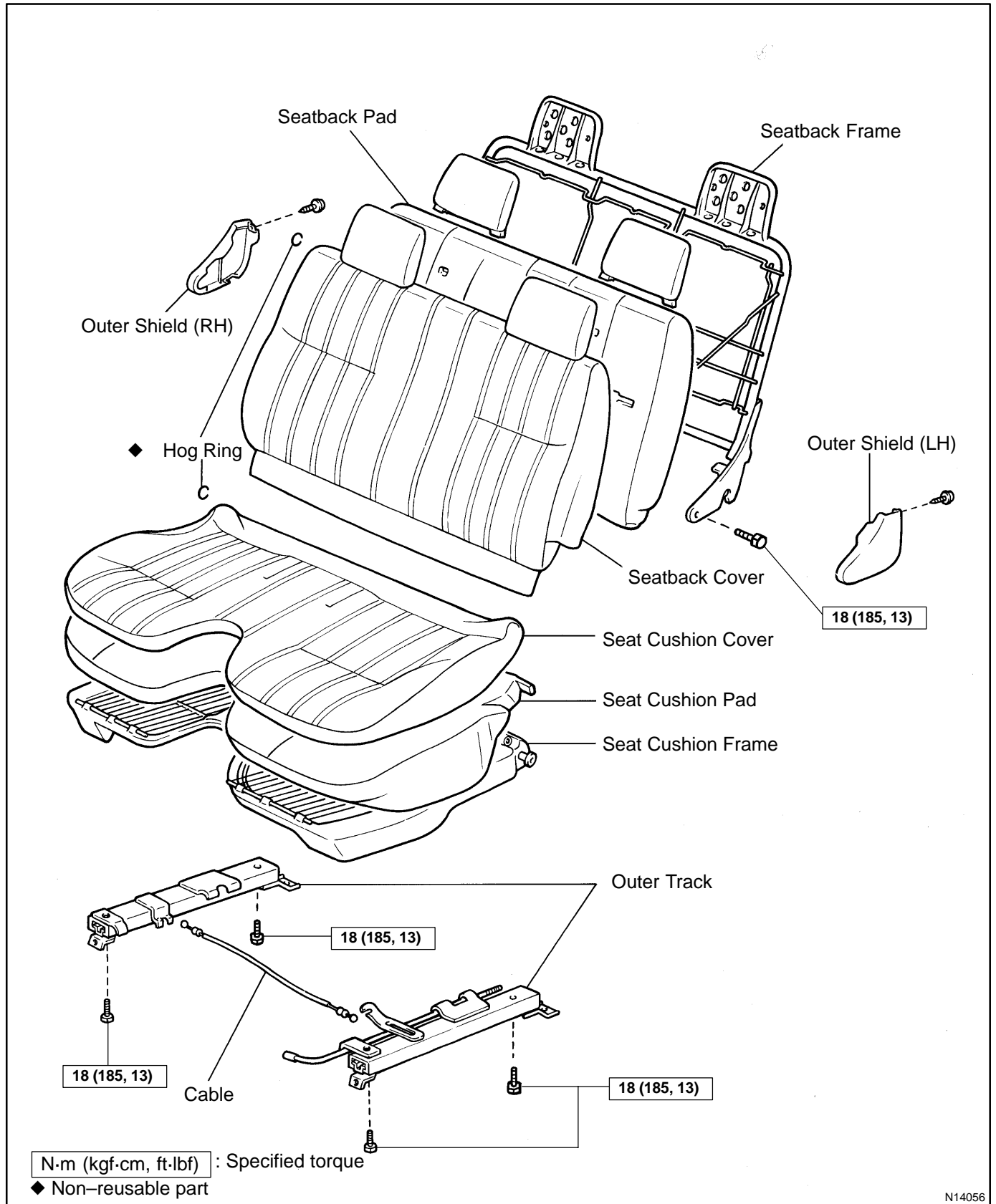


FRONT SEAT (Bench Type) COMPONENTS

BO08J-02



N14056