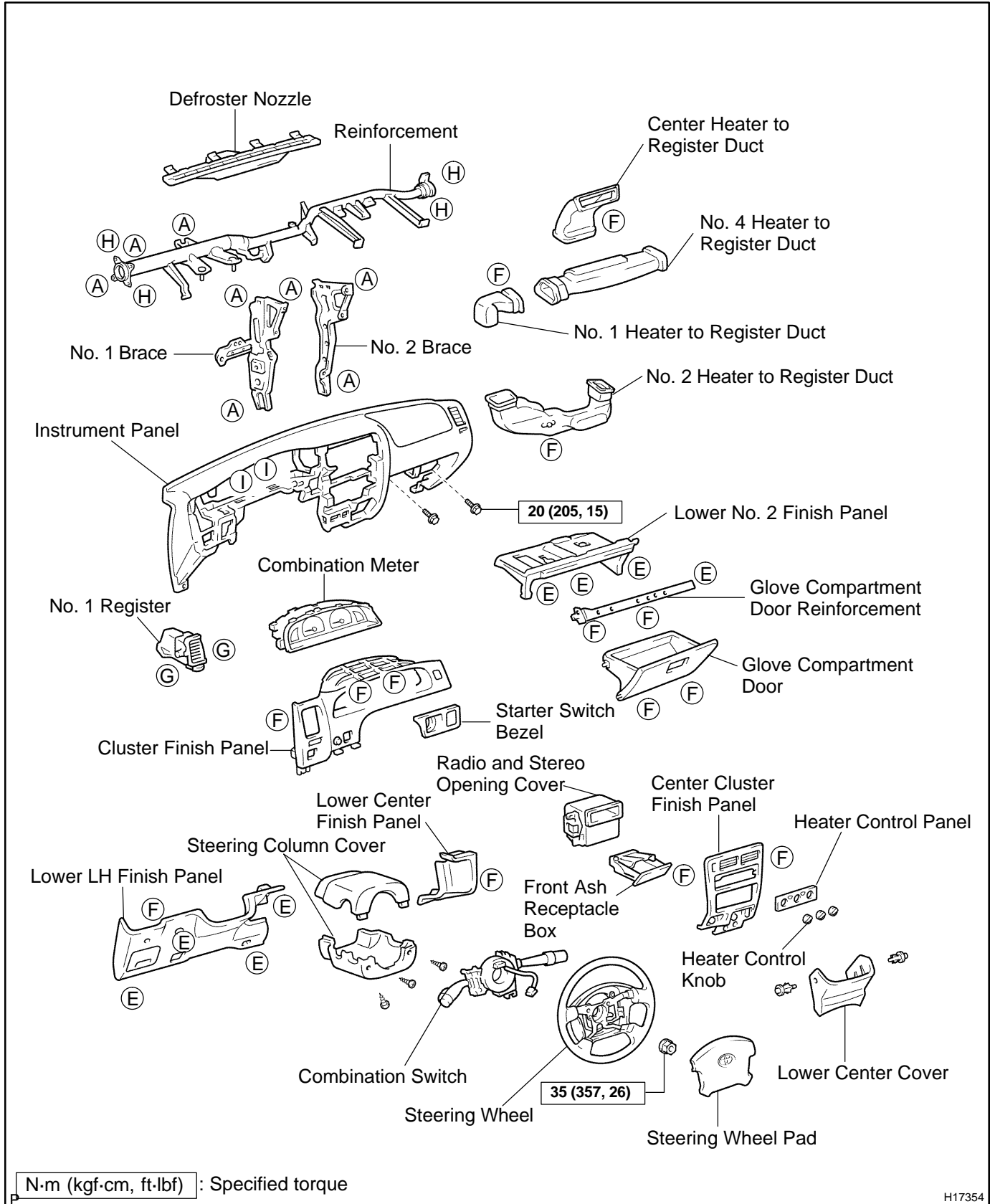
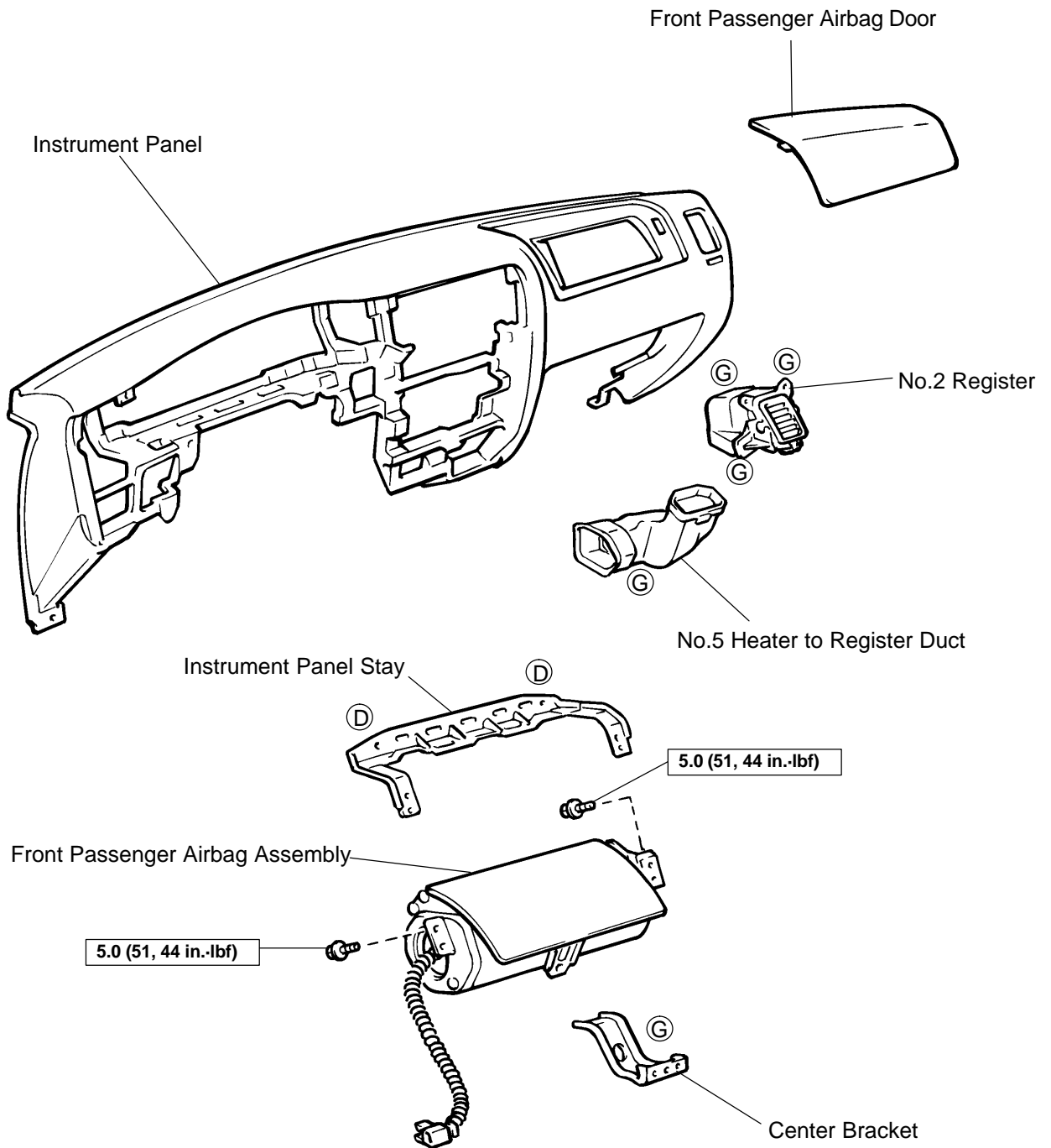


INSTRUMENT PANEL COMPONENTS

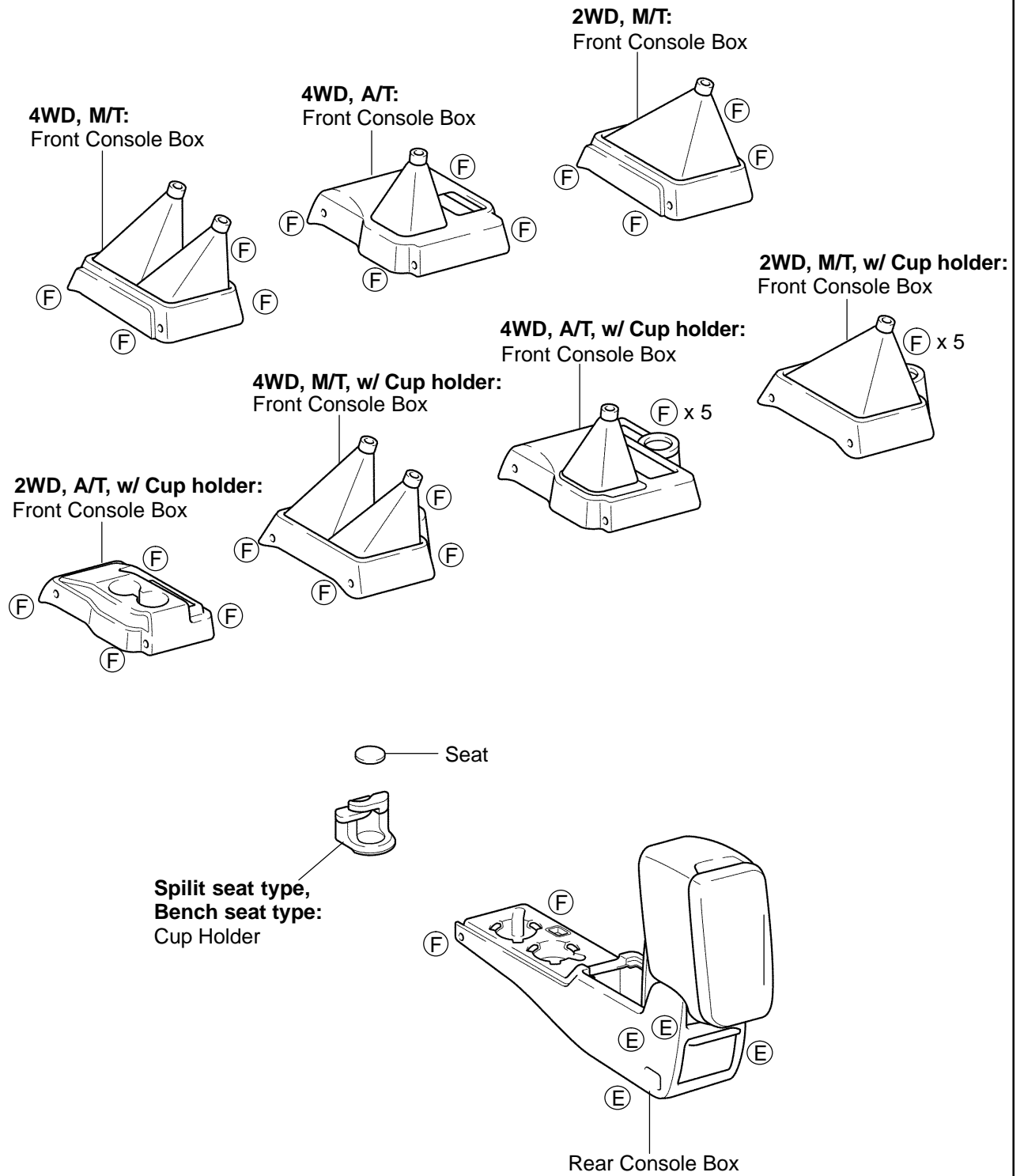
B007T-03





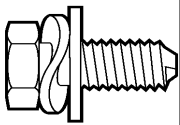
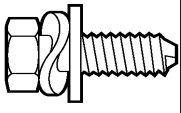

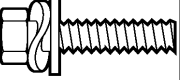


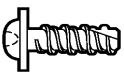
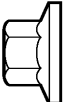
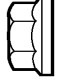
N·m (kgf·cm, ft·lbf) : Specified torque

H01595



HINT:

Screw shapes and sizes are indicated in the table below. The codes (A - I) correspond to those indicated on the previous page.

mm (in.)								
Code	Shape	Size	Code	Shape	Size	Code	Shape	Size
Ⓐ		∅ = 8 (0.31) L = 18 (0.71)	Ⓑ		∅ = 6 (0.24) L = 22 (0.86)	Ⓒ		∅ = 6 (0.24) L = 16 (0.63)
Ⓓ		∅ = 6 (0.24) L = 25 (0.98)	Ⓔ		∅ = 6 (0.24) L = 22 (0.87)	Ⓕ		∅ = 5 (0.20) L = 16 (0.63)
Ⓖ		∅ = 5 (0.20) L = 14 (0.55)	Ⓖ		∅ = 8 (0.31)	Ⓖ		∅ = 6 (0.24)

T

H17620