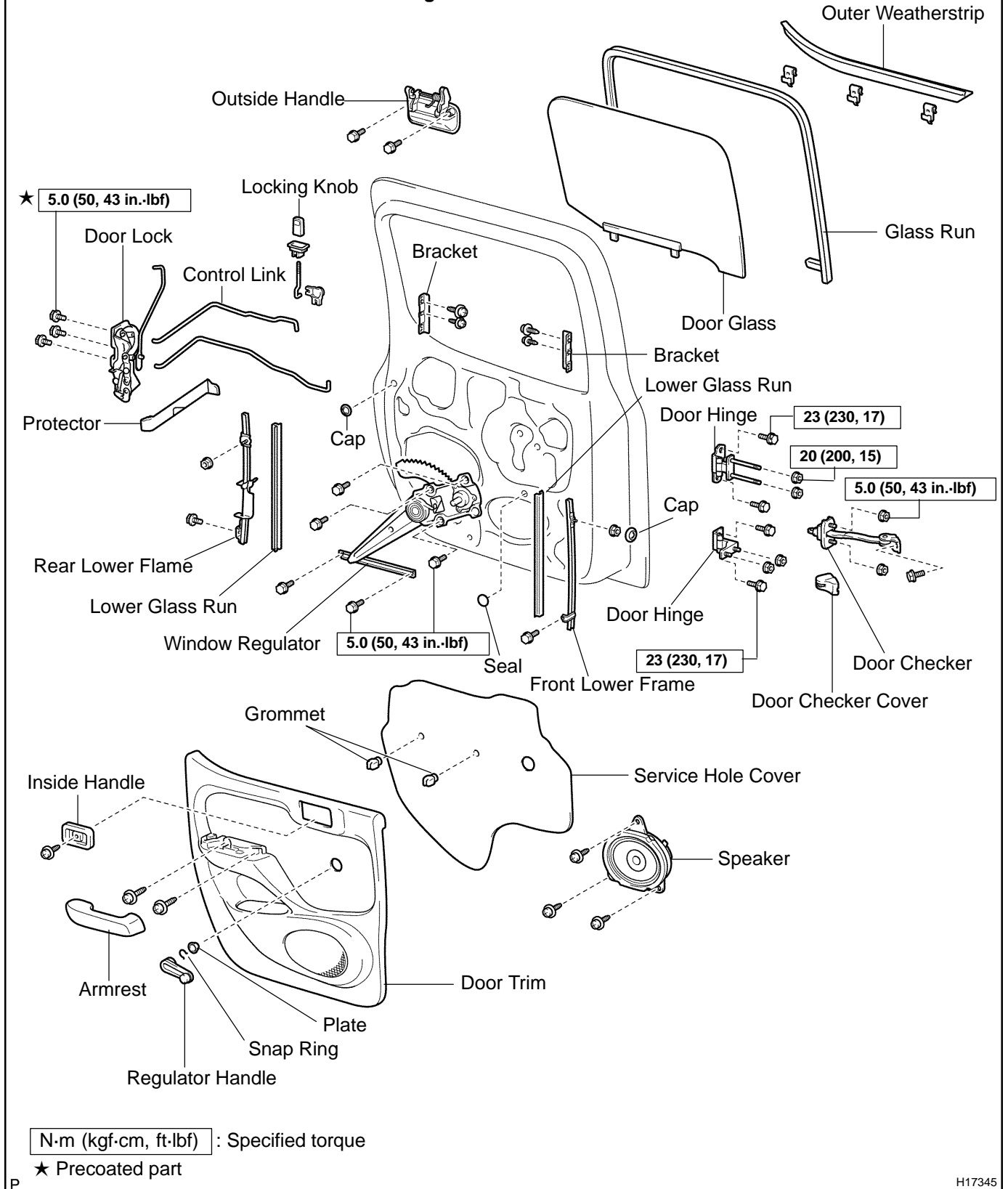


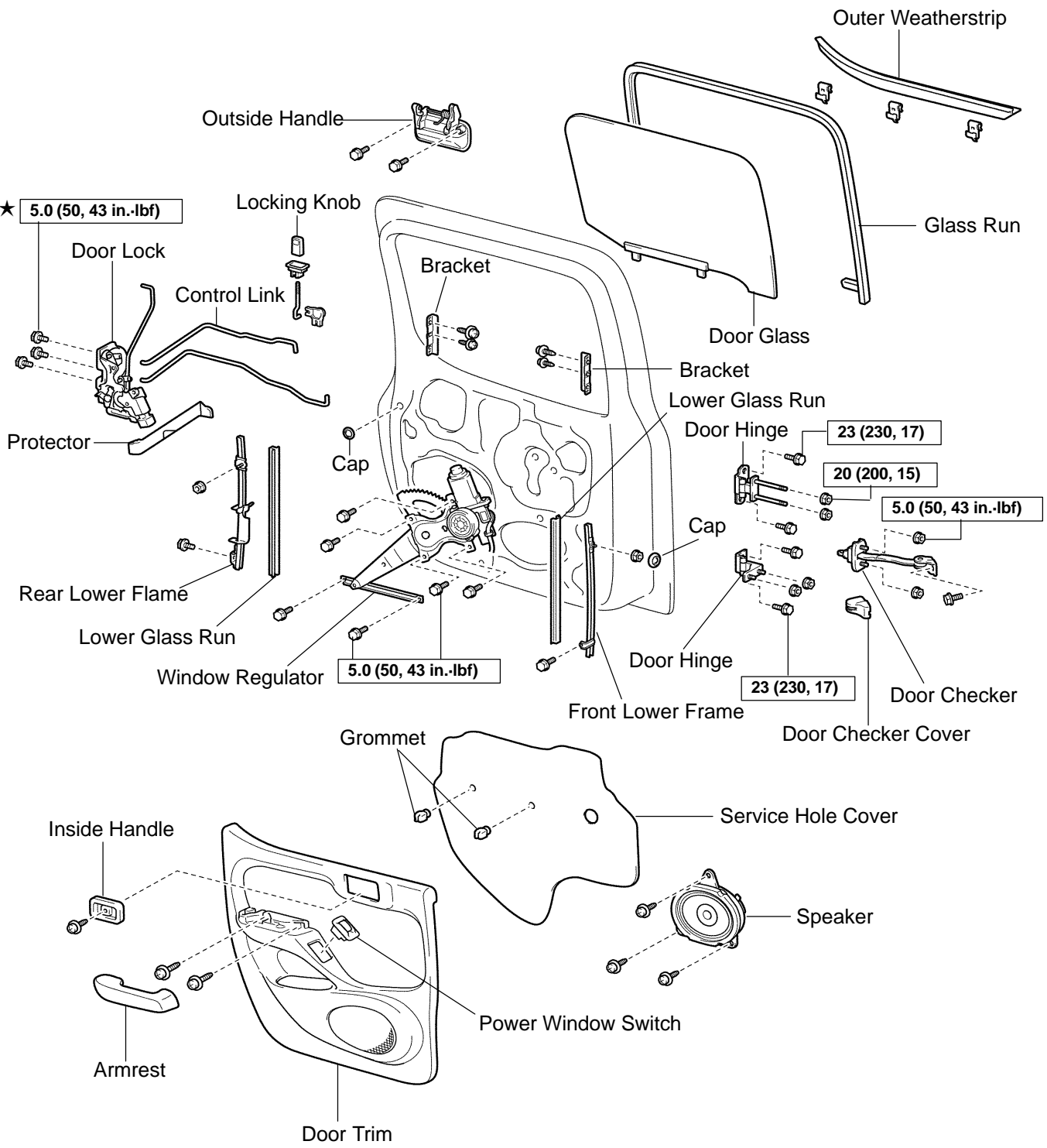
REAR DOOR (Double Cab) COMPONENTS

BO429-01

w/o Power Door Lock and Power Window Regulator:



w/ Power Door Lock and Power Window Regulator:



N·m (kgf·cm, ft·lbf) : Specified torque

★ Precoated part

H17346