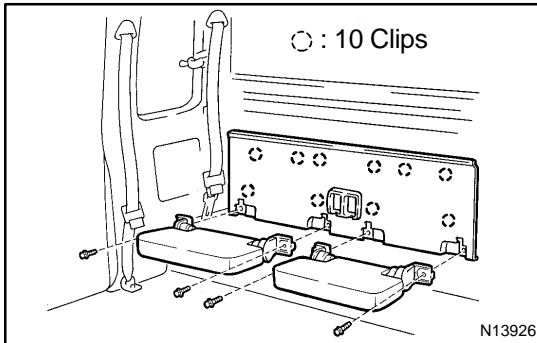


INSTALLATION

1. INSTALL SEAT TURN TABLE



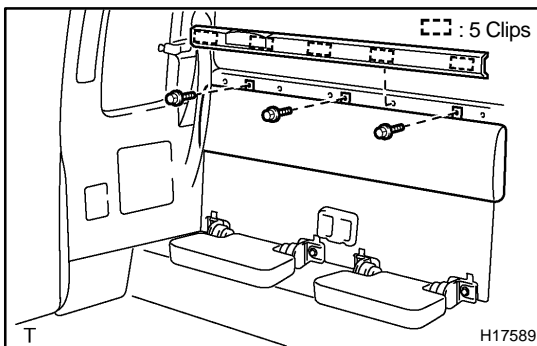
2. INSTALL REAR SEAT CUSHIONS

Install the rear seat cushions with the 4 bolts.

Torque: 18 N·m (185 kgf·cm, 13 ft·lbf)

3. INSTALL BACK PANEL LOWER GARNISH

Install the back panel lower garnish to the body.



4. INSTALL BACK PANEL UPPER GARNISH AND REAR SEAT BACK

(a) Install the rear seat back with the 3 bolts.

Torque: 18 N·m (185 kgf·cm, 13 ft·lbf)

(b) Install the garnish to the body.