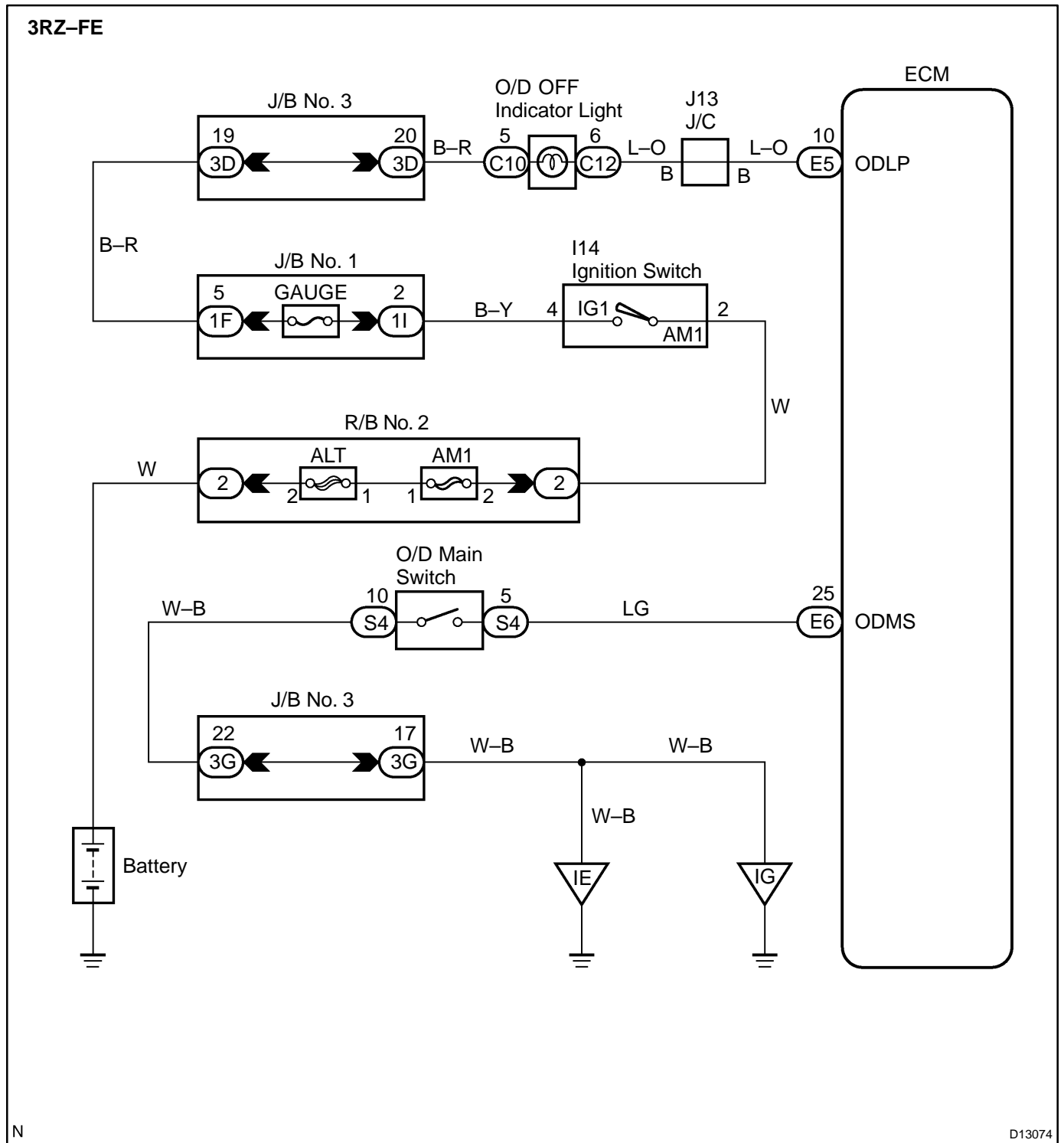


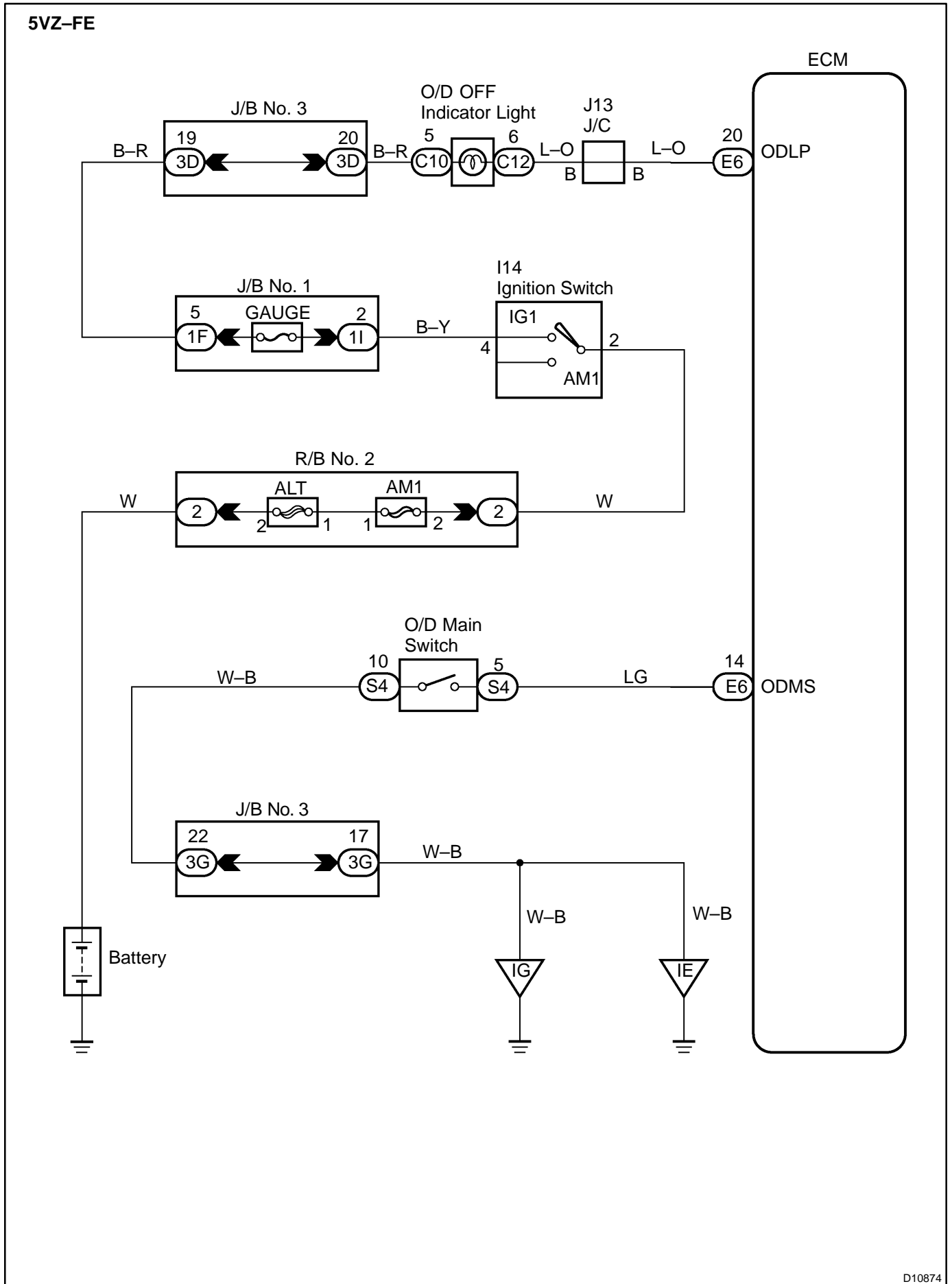
O/D Main Switch & O/D OFF Indicator Light Circuit

CIRCUIT DESCRIPTION

The O/D main switch is a momentary type switch. When pressing the O/D OFF main switch, the O/D OFF indicator light lights up and ECM prohibit shifting to O/D, and when pressing it again, the O/D OFF indicator light goes off and ECM allows shifting to O/D. Turning the IG switch OFF will reset the O/D OFF indicator light.

WIRING DIAGRAM





D10874

INSPECTION PROCEDURE

1	Check operation of O/D main switch.
----------	--

PREPARATION:

Turn the ignition switch ON.

CHECK:

- (a) Check O/D OFF indicator light when O/D main switch is pushed in to ON.
- (b) Check O/D OFF Indicator light when O/D main switch is pushed again.

OK:

- (a) O/D OFF indicator light lights up.
- (b) O/D OFF indicator light goes off.

OK	Proceed to next inspection shown on problem symptoms table (See page DI-476).
-----------	--

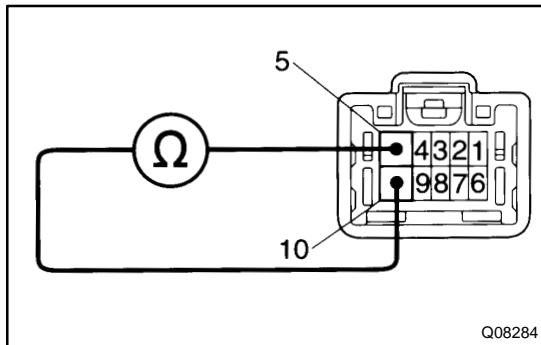
NG

2	Check and replace the combination meter (See page BE-2).
----------	---

NG	Replace the combination meter.
-----------	---------------------------------------

OK

3 Check O/D main switch.



PREPARATION:

Disconnect the O/D main switch connector.

CHECK:

Check continuity between 5 and 10 of the O/D main switch connector.

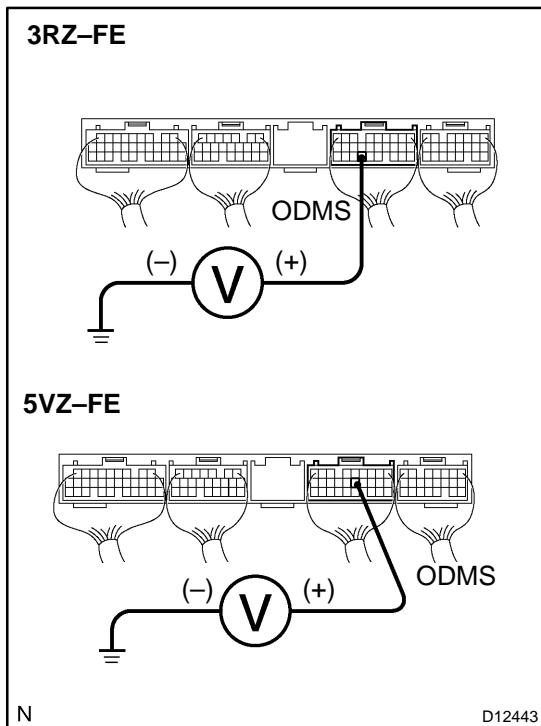
OK:

O/D main switch condition	Specified condition
Press continuously O/D main switch	Continuity
Release O/D main switch	No continuity

NG Replace and repair O/D main switch.

OK

4 Check voltage between terminal ODMS of ECM and body ground.



PREPARATION:

Turn the ignition switch ON.

CHECK:

Check voltage between terminal ODMS of ECM and body ground when O/D main switch is ON and OFF.

OK:

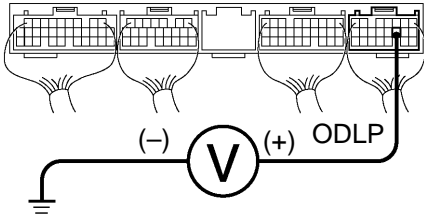
O/D main switch	Specified voltage
Press continuously O/D main switch	Below 1.0 V
Release O/D main switch	10 - 14 V

OK Check and replace the ECM (See page [IN-28](#)).

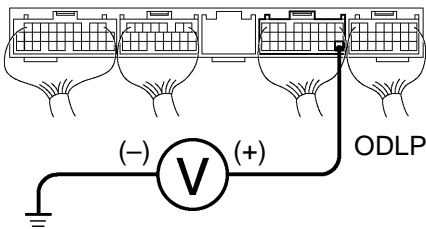
NG

5 Check voltage between terminal ODLP of ECM and body ground.

3RZ-FE



5VZ-FE



N

D12444

PREPARATION:

- (a) Disconnect the connector of ECM.
- (b) Turn the ignition switch ON.

CHECK:

Check voltage between terminal ODLP of ECM and body ground.

OK:

Voltage: 7.5 – 14 V

OK

Check and replace the ECM (See page [IN-28](#)).

NG

Check and replace harness and connector between combination meter and ECM, O/D main switch and ECM, O/D main switch and body ground (See page [IN-28](#)).