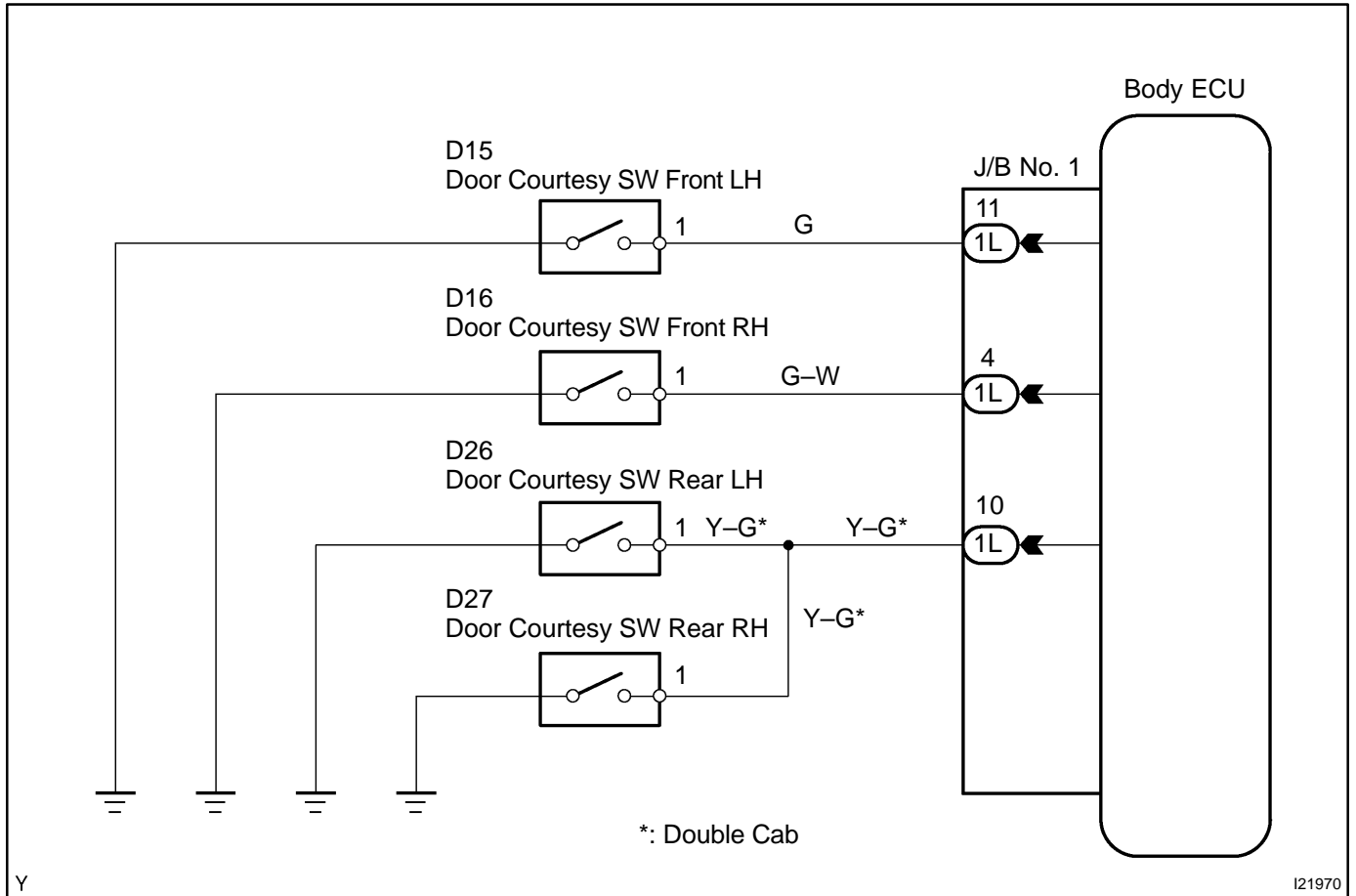


Door Courtesy Switch Circuit

CIRCUIT DESCRIPTION

Door courtesy switch comes on when the door is opened and goes off when the door is closed.

WIRING DIAGRAM



INSPECTION PROCEDURE

1	Check door courtesy switch (See page BE-54).
---	---

NG → Replace door courtesy switch.

OK

2	Check for a grounding malfunction caused by loosened screw.
----------	--

NG	Tighten screw.
-----------	-----------------------

OK

3	Check for harness and connector between door courtesy switch and body ECU (See page IN-28).
----------	--

NG	Repair or replace harness or connector.
-----------	--

OK

Proceed to next circuit inspection shown in problem symptoms table (See page DI-773).
--