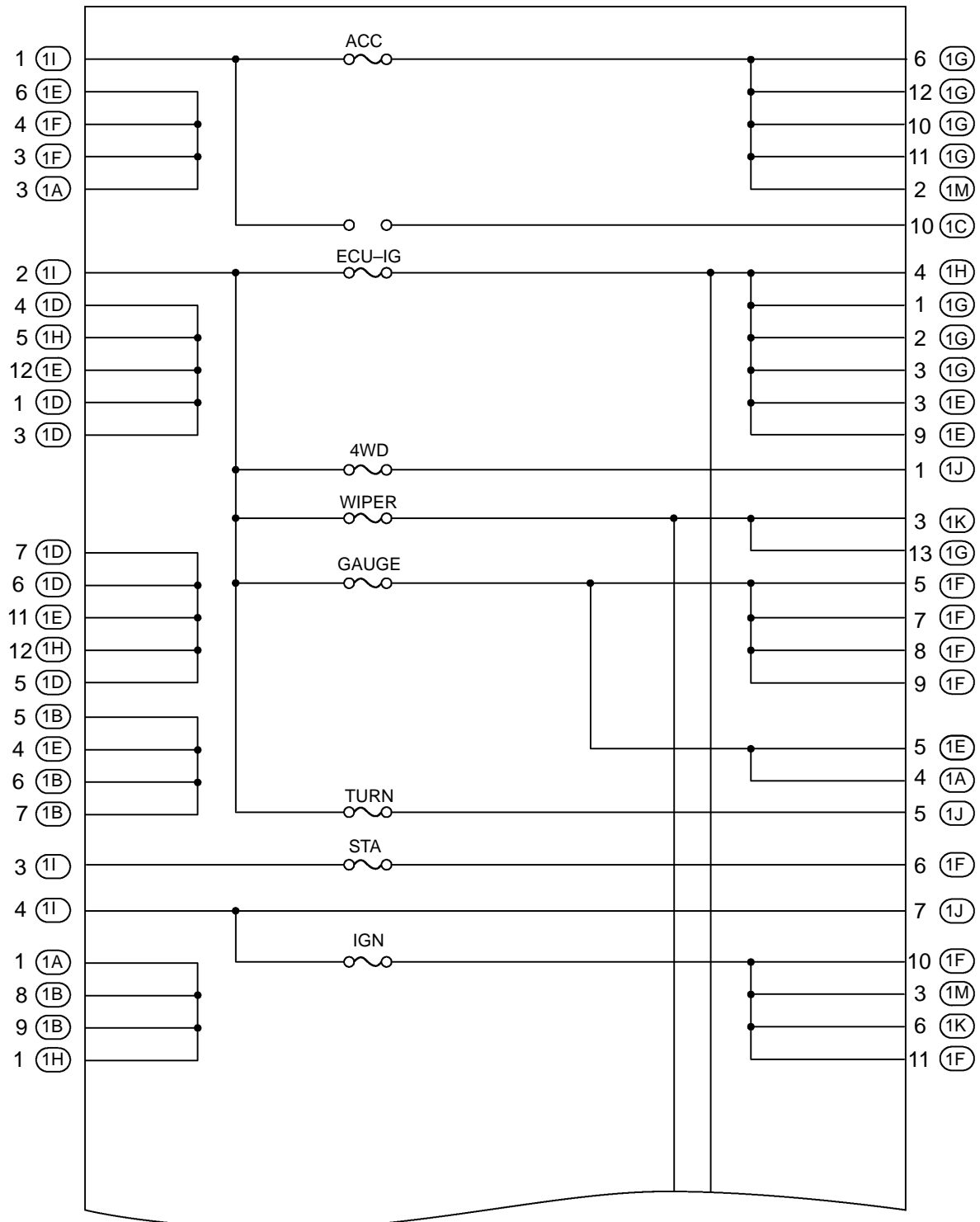


# TERMINALS OF ECU

## J/B No. 1 Inner Circuit



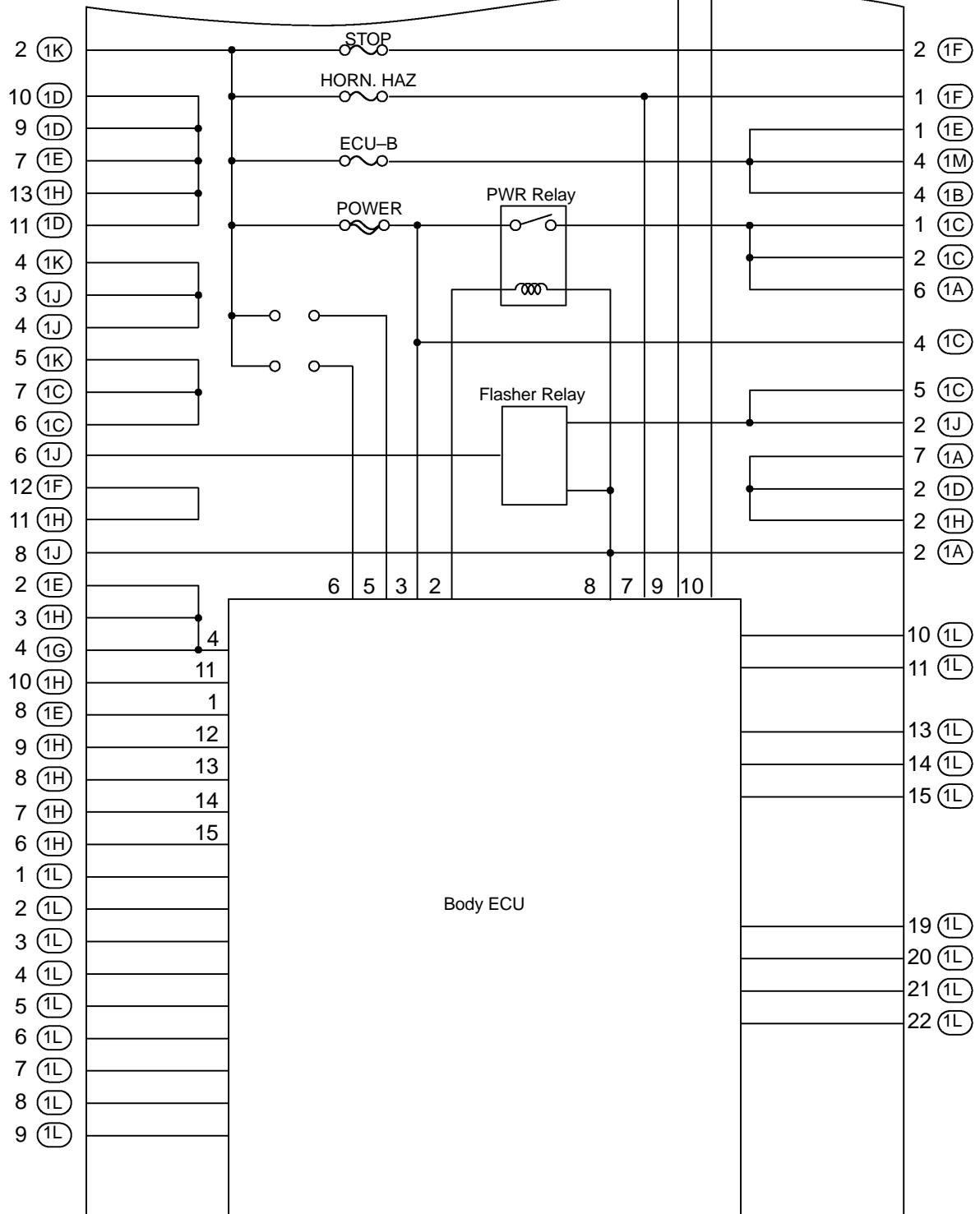
Cont. next page

Y

I21615

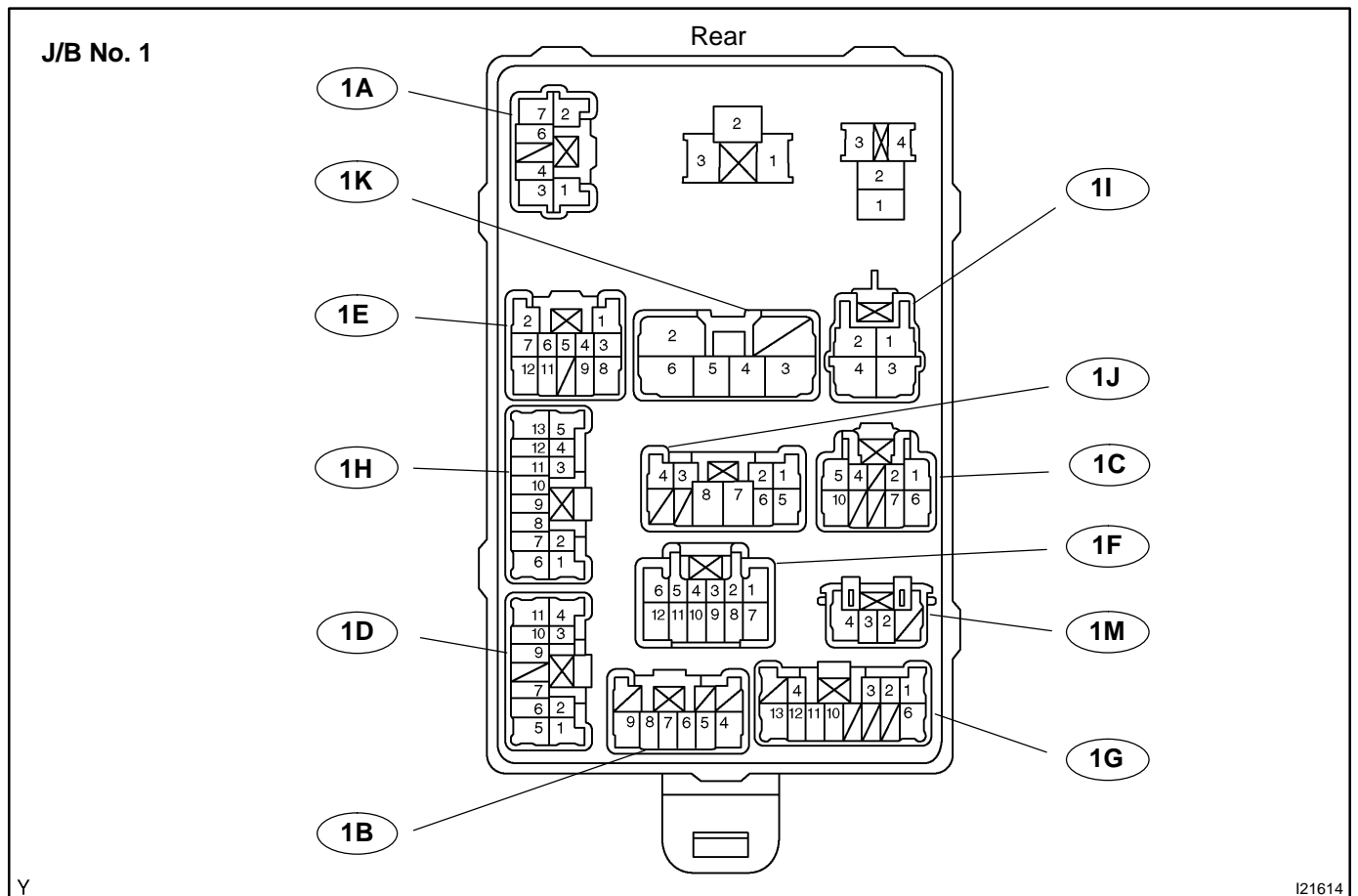
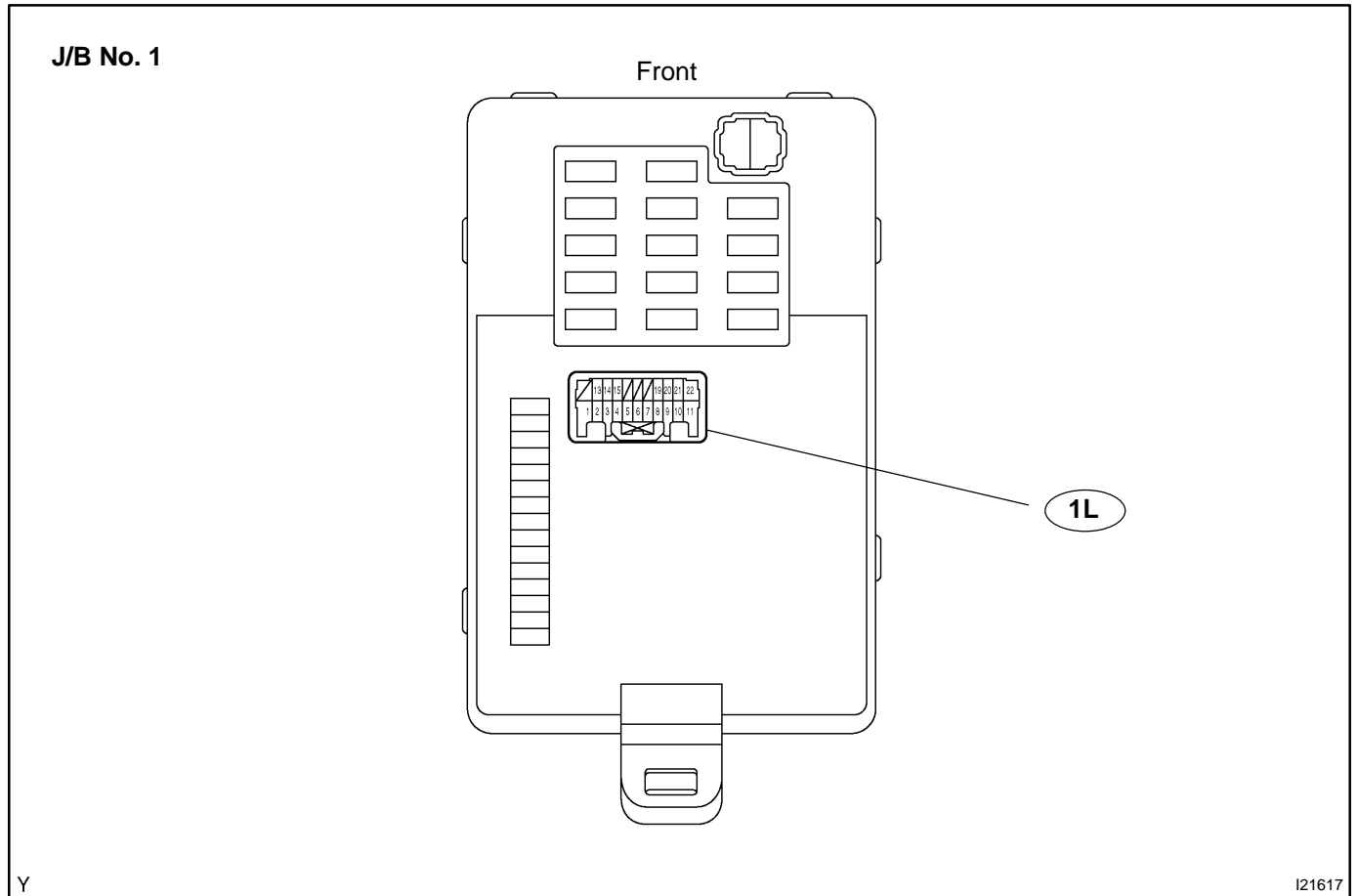
J/B No. 1 Inner Circuit

Cont'd



Y

I21616



## DIAGNOSTICS - BODY CONTROL SYSTEM

Symbols (Terminal No.)	Wiring Color	Condition	STD Voltage (V)
1E-2 - 1J-8	L-Y - W-B	Always	9 - 14
1H-10 - 1J-8	B - W-B	Always	9 - 14
1K-2 - 1J-8	B-R - W-B	Always	9 - 14
1F-1 - 1J-8	L-W - W-B	Always	9 - 14
1I-2 - 1J-8	B-Y - W-B	Ignition switch OFF	Below 1
		Ignition switch ON	9 - 14
1L-19 - 1J-8	B - W-B	Ignition switch OFF	Below 1
		Ignition switch ON	9 - 14
1L-20 - 1J-8	Y-B - W-B	Ignition switch OFF	Below 1
		Ignition switch ACC or ON	9 - 14
1H-9 - 1J-8	B-W - W-B	Any one of doors opened	Below 1
		All doors closed	9 - 14
1L-14 - 1J-8	R-L*1, R-G*2 - W-B	Light control switch OFF or TAIL	Approx. 5.7
		Light control switch HEAD	Below 1
1L-13 - 1J-8	R-W*1, G-Y*2 - W-B	Light control switch OFF	9 - 14
		Light control switch TAIL or HEAD	Below 1
1L-9 - 1J-8	V-R - W-B	Light control switch OFF	9 - 14
		Light control switch TAIL or HEAD	Below 1
1L-8 - 1J-8	LG-R - W-B	Key inserted	Below 1
		Key not inserted	9 - 14
1L-2 - 1J-8	G-B - W-B	Driver door unlocked	Below 1
		Driver door locked	Approx. 5.7
1L-1 - 1J-8	L-R - W-B	Passenger door unlocked	Below 1
		Passenger door locked	Approx. 5.7
1L-22 - 1J-8	B-L - W-B	Door lock manual switch OFF or UNLOCK	Below 1
		Door lock manual switch LOCK	Approx. 5
1L-21 - 1J-8	R-Y - W-B	Door lock manual switch OFF	Below 1
		Door lock manual switch UNLOCK	Approx. 5
1L-7 - 1J-8	GR - W-B	Door key lock and unlock switch OFF	Approx. 5
		Door key lock and unlock switch ON	Below 1
1L-6 - 1J-8	L-B - W-B	Driver door key lock and unlock switch OFF	Approx. 5
		Driver door key lock and unlock switch ON	Below 1
1L-5 - 1J-8	V - W-B	Passenger door key lock and unlock switch OFF	Approx. 5
		Passenger door key lock and unlock switch ON	Below 1
1H-6 - 1J-8	L - W-B	Door lock operating to lock	9 - 14
1H-7 - 1J-8	L-W - W-B	Door lock operating to unlock	9 - 14
1L-11 - 1J-8	G - W-B	Driver door opened	Below 1
		Driver door closed	9 - 14
1L-4 - 1J-8	G-W - W-B	Passenger door opened	Below 1
		Passenger door closed	9 - 14
1L-10 - 1J-8	Y-G - W-B	Rear door opened	Below 1
		Rear door closed	9 - 14
1L-15 - 1J-8	R - W-B	Light control switch OFF	9 - 14
		Light control switch TAIL or HEAD	Below 1

1L-3 – 1J-8	LG-B – W-B	With seat belt ON	Below 1
		No seat belt ON	9 – 14
1H-8 – 1J-8	G-R – W-B	Horn switch ON	Below 1
		Horn switch OFF	9 – 14
1E-8 – 1J-8	B – W-B	Horn sound	Below 1
		Horn does not sound	9 – 14
1J-8 – Body Ground	W-B – Body Ground	Constant	Below 1

\*1: w/o Daytime running light

\*2: w/ Daytime running light