

DTC	P0560	System Voltage
------------	--------------	-----------------------

CIRCUIT DESCRIPTION

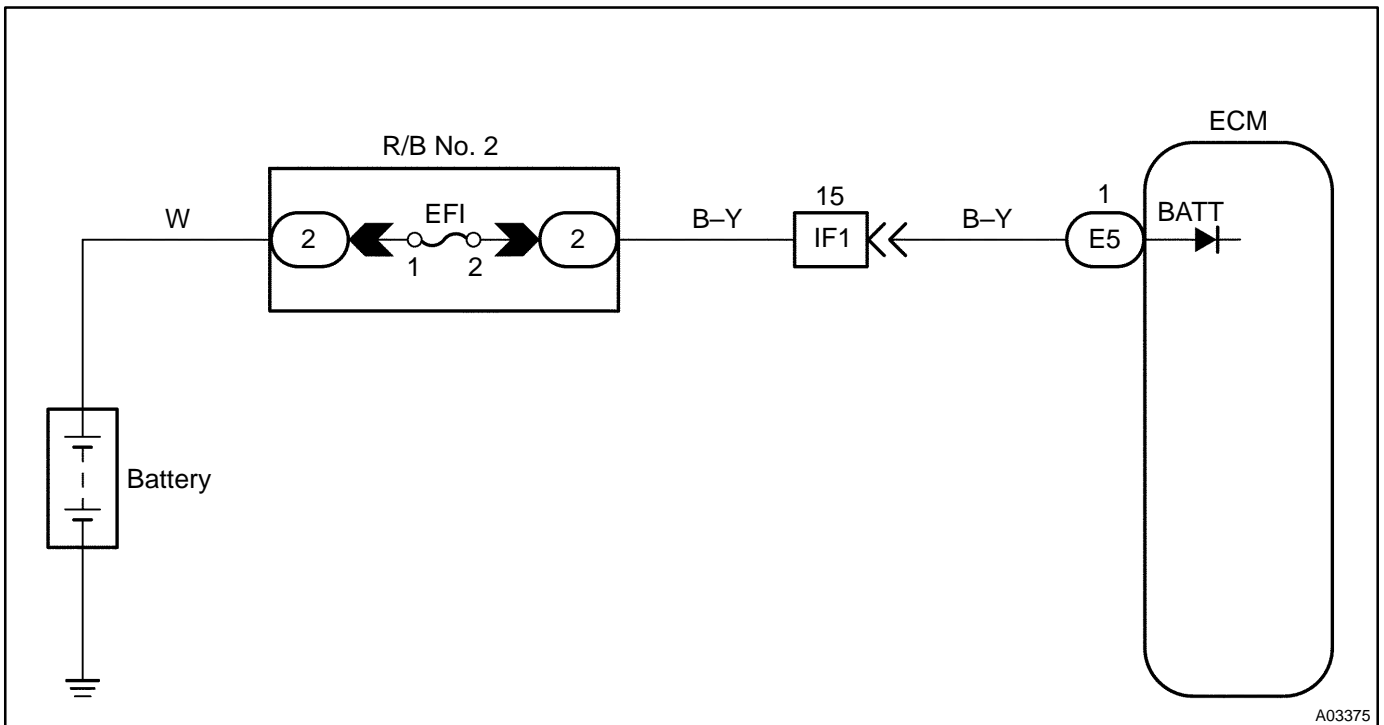
Battery positive voltage is supplied to terminal BATT of the ECM even when the ignition switch is OFF for use by the DTC memory and air-fuel ratio adaptive control value memory, etc.

DTC No.	DTC Detection Condition	Trouble Area
P0560	Open in back up power source circuit	<ul style="list-style-type: none"> • Open in back up power source circuit • ECM

HINT:

If DTC P0560 appear, the ECM does not store another DTC.

WIRING DIAGRAM

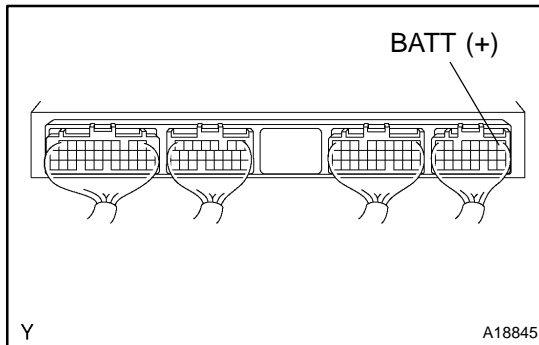


INSPECTION PROCEDURE

HINT:

Read freeze frame data using the hand-held tester or the OBD II scan tool, as freeze frame data records the engine conditions when a malfunction is detected. When troubleshooting, it is useful for determining whether the vehicle was running or stopped, the engine was warmed up or not, the air-fuel ratio was lean or rich, etc. at the time of the malfunction.

1 Check voltage between terminal BATT of ECM connector and body ground.



PREPARATION:

Remove the glove compartment (See page [SF-55](#)).

CHECK:

Measure the voltage between terminal BATT of the ECM connector and the body ground.

OK:

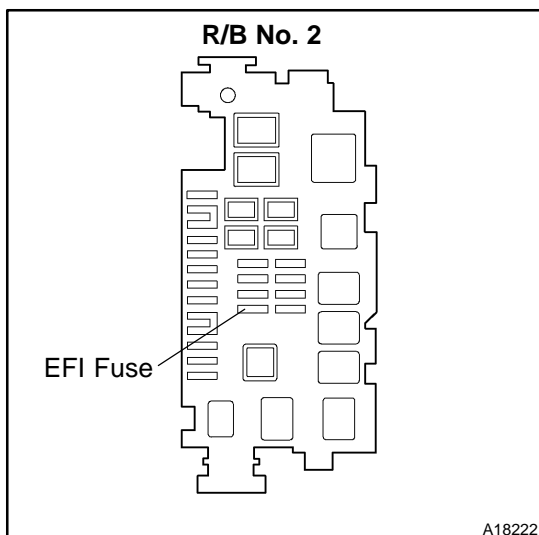
Voltage: 9 – 14 V

OK

Check and replace ECM (See page [IN-28](#)).

NG

2 Check EFI fuse.



PREPARATION:

Remove the EFI fuse from the R/B No. 2.

CHECK:

Check the continuity of the EFI fuse.

OK:

Continuity

NG

Check for short in all harness and components connected to EFI fuse.

OK

Check and repair harness or connector between battery and EFI fuse, and EFI fuse and ECM.