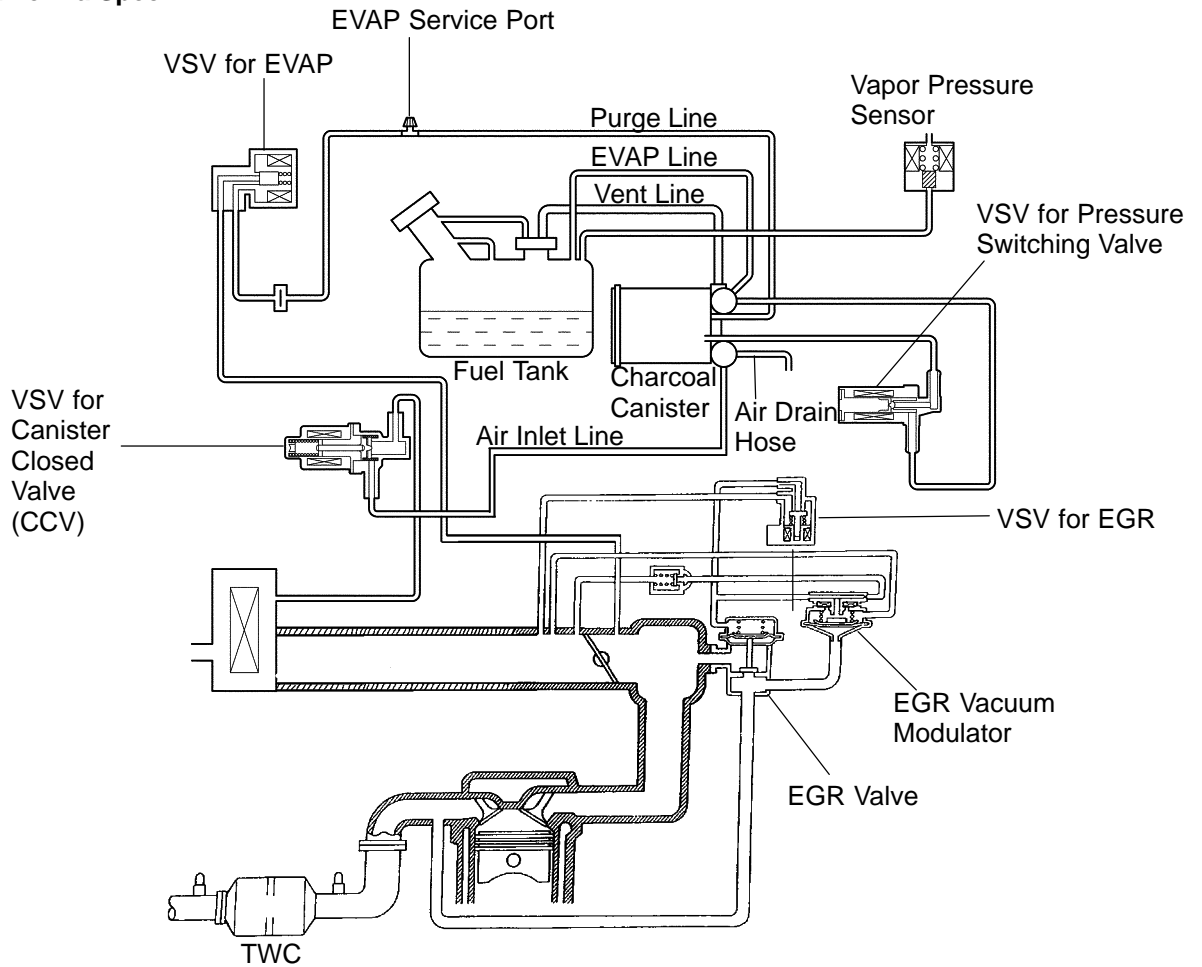


# DRAWING

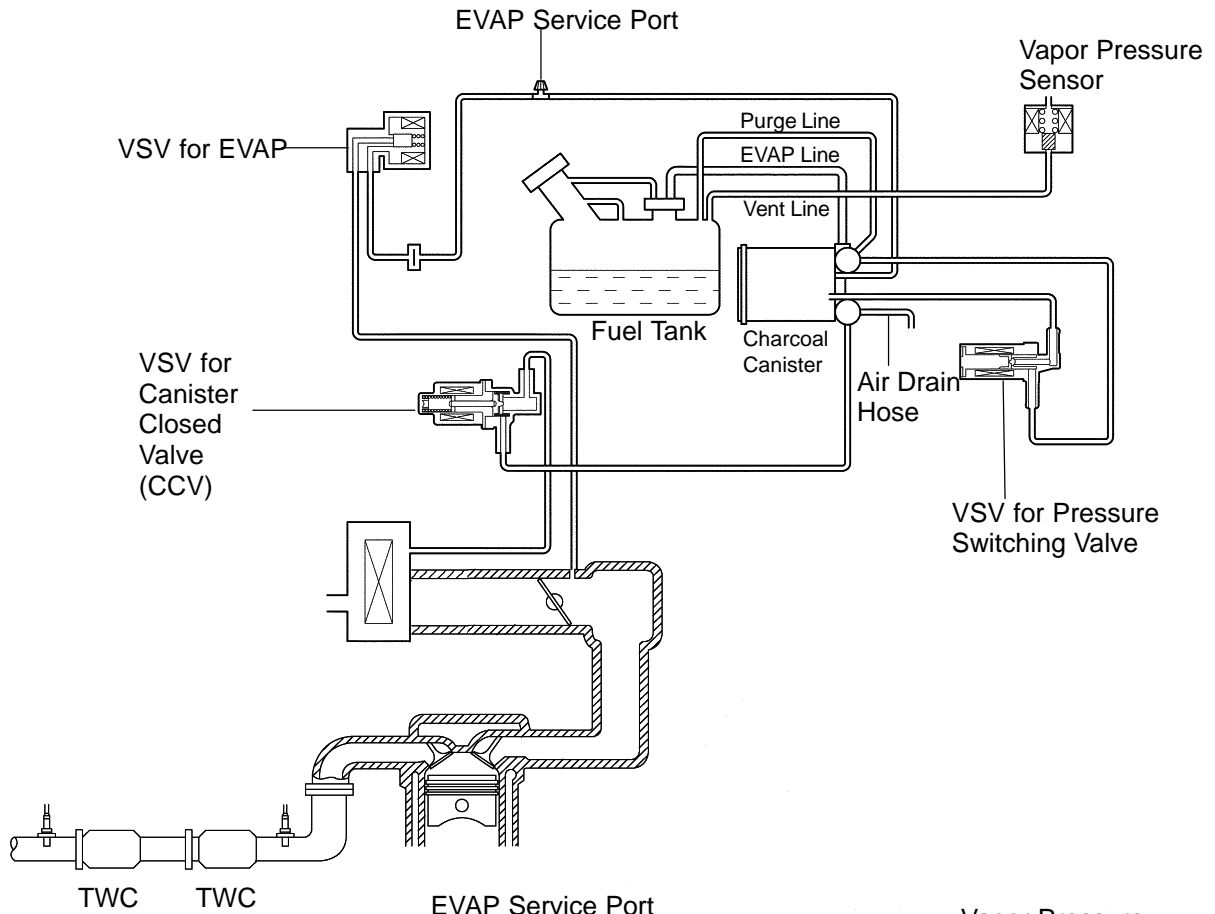
Except California Spec.



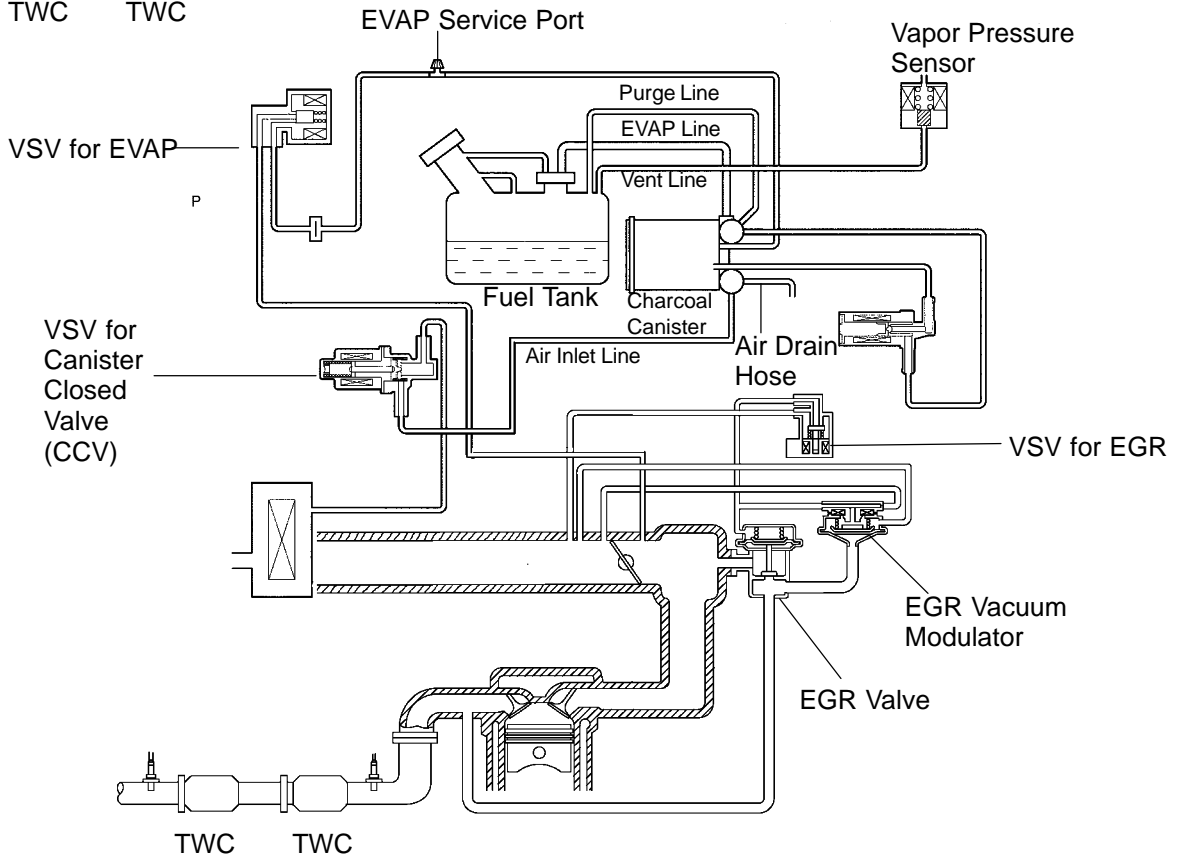
Y

A18454

For 2RZ-FE



For 3RZ-FE



y

A18453