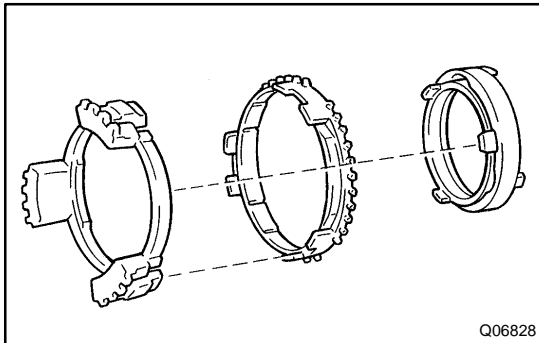


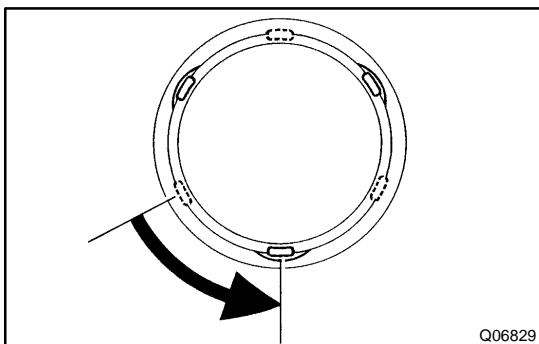
DISASSEMBLY

REMOVE HUB SLEEVE NO.3, SHIFTING KEY AND SPRING FROM SYNCHRONIZER RING

- (a) Remove the synchronizer ring assembly from the hub sleeve No.3.
- (b) Turn the reverse synchronizer pull ring.



- (c) Remove the reverse synchronizer ring and 5th synchronizer ring from the synchronizer pull ring and cone ring.



- (d) Turn the reverse synchronizer pull ring, separate the pull ring and cone ring.
- (e) Push the shifting key and spring, and remove the 3 shifting keys and springs to the reverse synchronizer ring.