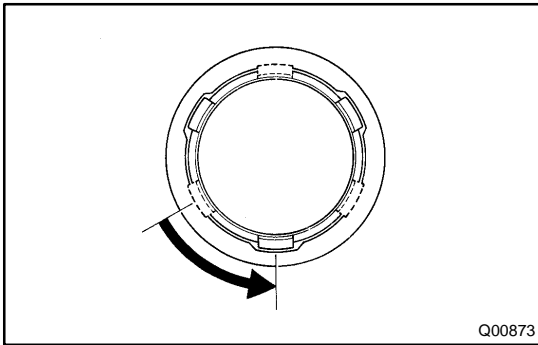


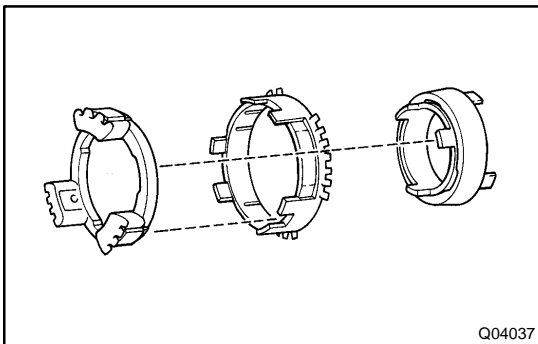
## REASSEMBLY

### INSTALL SYNCHRONIZER RING ASSEMBLY TO NO.3 HUB SLEEVE

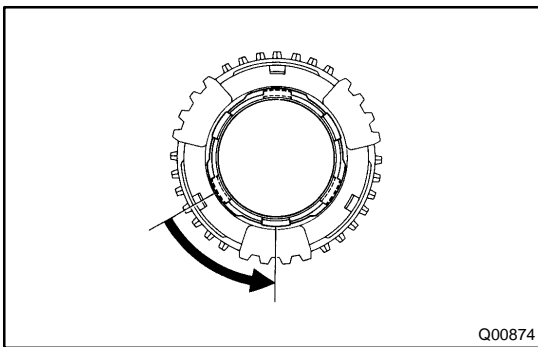
- (a) Push the synchronizer key spring, install the shifting key and key spring to the reverse synchronizer ring.
- (b) Using a screwdriver, push the 3 key springs into the synchronizer ring spring gaps.



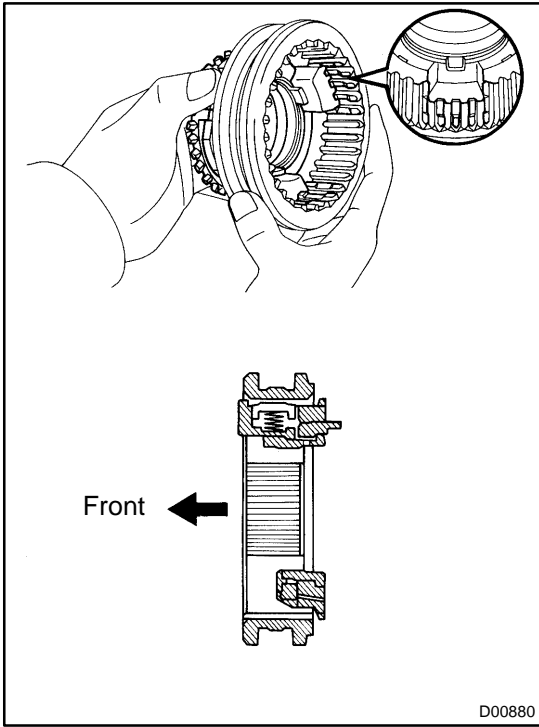
- (c) Install the synchronizer cone ring to the reverse synchronizer pull ring and turn the pull ring.



- (d) Install the 5th synchronizer ring.
- (e) Install the reverse synchronizer ring.



- (f) Turn the reverse synchronizer pull ring.



- (g) While pushing 3 shifting keys, install the synchronizer ring assembly to the No.3 hub sleeve.