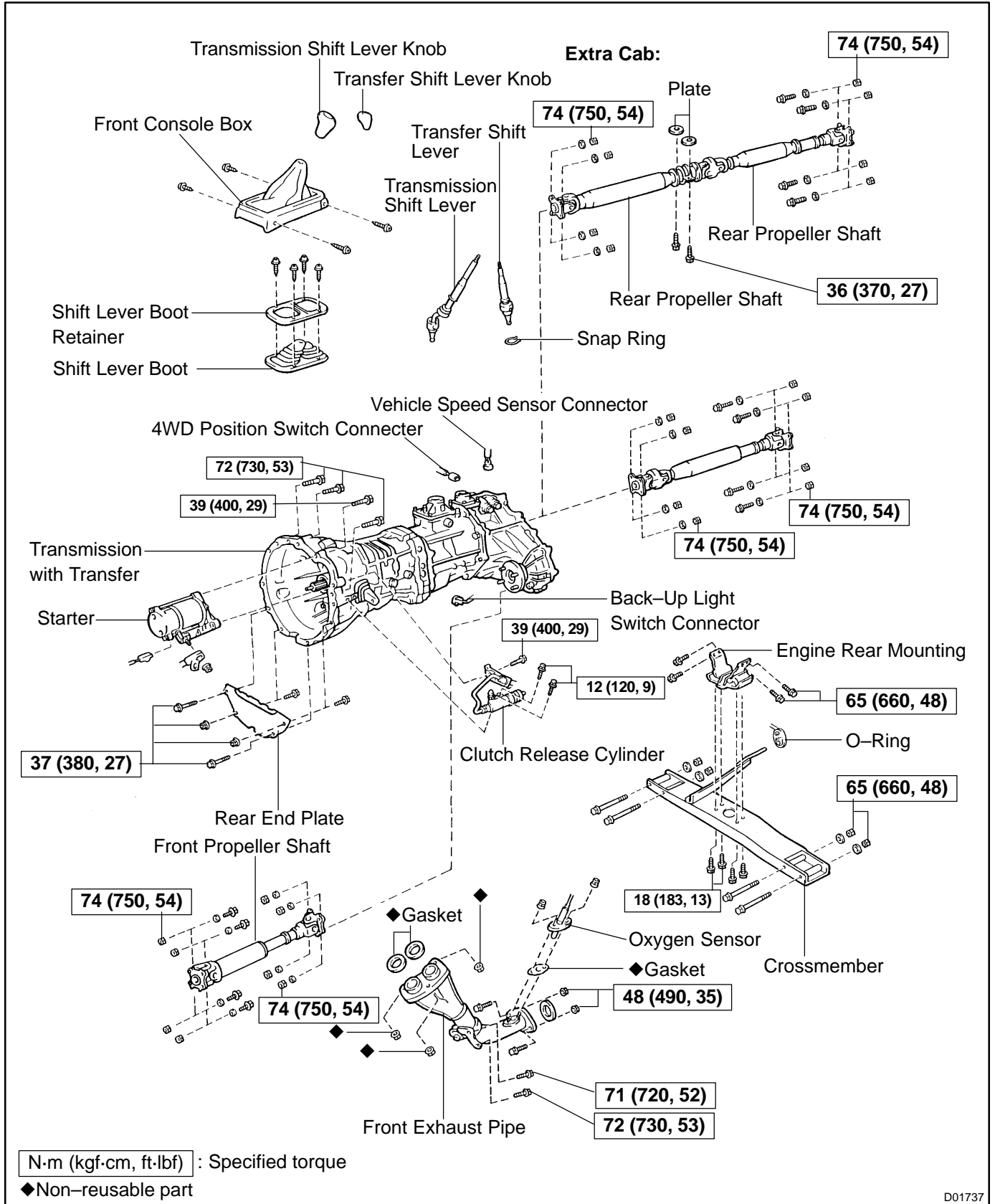


MANUAL TRANSMISSION UNIT (4WD) COMPONENTS

MT022-01



D01737