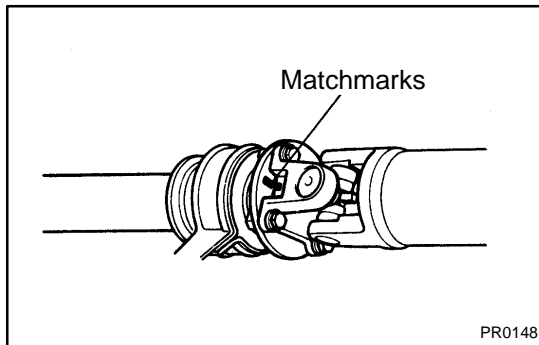


DISASSEMBLY

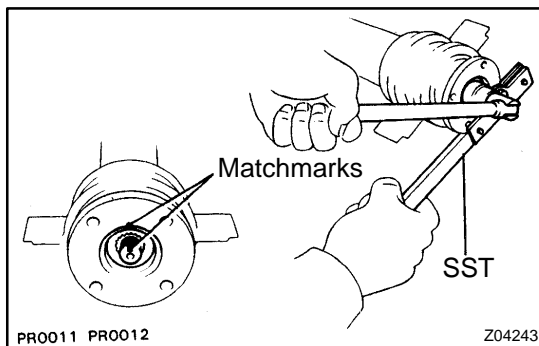
NOTICE:

Be careful not to grip the propeller shaft tube too tightly in a vise as this will cause deformation.



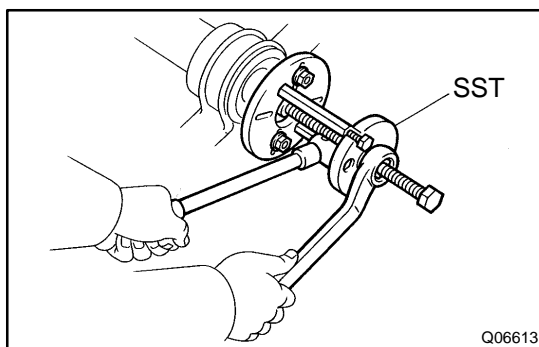
1. 3-joint type: SEPARATE PROPELLER SHAFT AND INTERMEDIATE SHAFT

- Place matchmarks on the flanges.
- Remove the 4 nuts, bolts and washers.
- Separate the propeller shaft and intermediate shaft.



2. 3-joint type: REMOVE FLANGE FROM INTERMEDIATE SHAFT

- Using a chisel and hammer, loosen the staked part of the nut.
- Using SST to hold the flange, remove the nut and spacer.
SST 09330-00021
- Place matchmarks on the flange and shaft.



- Using SST, remove the flange from the intermediate shaft.

SST 09950-30012 (09951-03010, 09953-03010, 09954-03010, 09955-03030, 09956-03020)

- Remove the spacer.

3. 3-joint type: REMOVE CENTER SUPPORT BEARING FROM INTERMEDIATE SHAFT