

INSPECTION

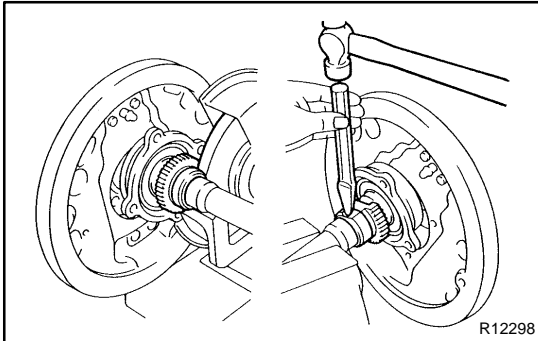
1. w/ ABS:

REMOVE BEARING RETAINER (DIFFERENTIAL SIDE) AND ABS SPEED SENSOR ROTOR

- (a) Attach 4 nuts to the serration bolts and remove the serration bolts from the backing plate using a hammer.

NOTICE:

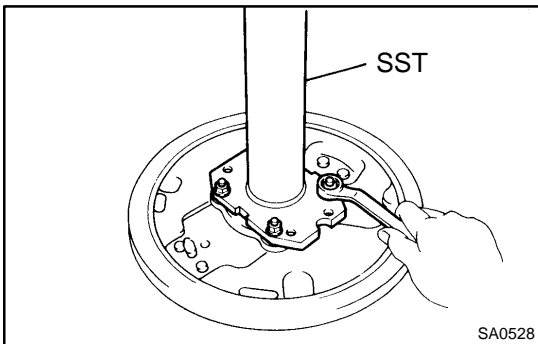
Do not reuse the nuts previously removed from the vehicle.



- (b) Grind the retainer and sensor rotor surfaces using a grinder, then pry them out with a chisel and hammer.
- (c) Attach washers and nuts to the serration bolts, then torque the nuts to install the serration bolts to the backing plate.
- (d) Remove the 4 nuts and washers from the serration bolts.

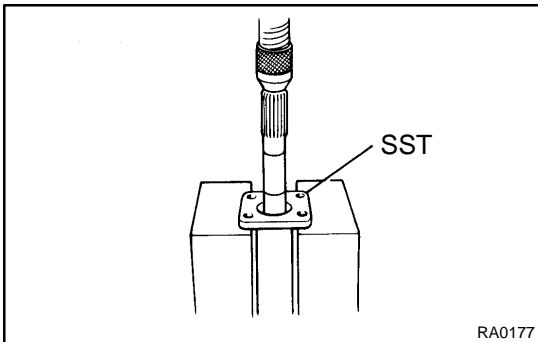
2. REMOVE SNAP RING FROM AXLE SHAFT

Using a snap ring expander, remove the snap ring.

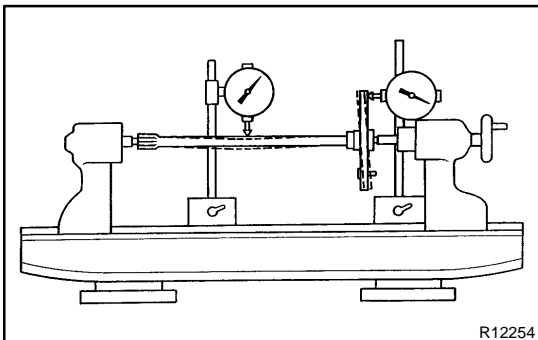


3. REMOVE REAR AXLE SHAFT FROM BACKING PLATE

- (a) Position SST on the backing plate with the 4 nuts.
SST 09521-25011



- (b) Using a press, remove the rear axle shaft and bearing retainer from the backing plate.
- (c) Remove the SST.



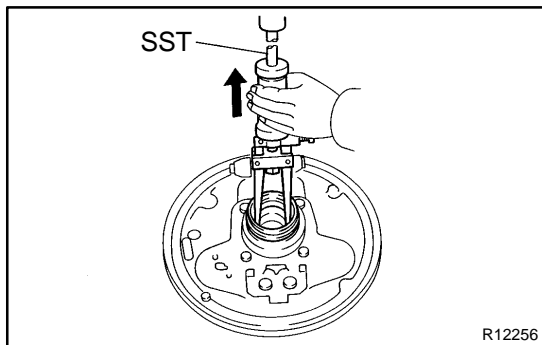
4. INSPECT AXLE SHAFT

Using a dial indicator, measure the runout of the shaft and flange.

Maximum shaft runout: 2.0 mm (0.079 in.)

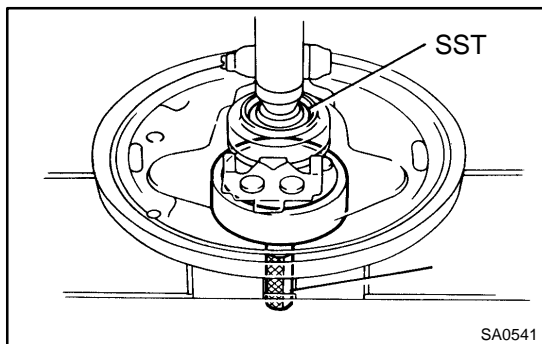
Maximum flange runout: 0.1 mm (0.004 in.)

If the rear axle shaft or flange are damaged or worn, or if runout is greater than the maximum, replace the rear axle shaft.

**5. REMOVE OUTER OIL SEAL**

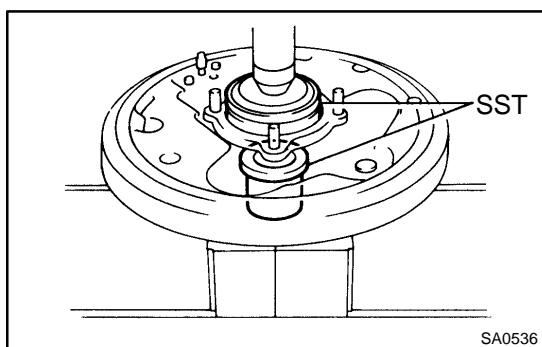
Using SST, remove the oil seal.

SST 09308-00010

**6. REPLACE REAR AXLE BEARING**

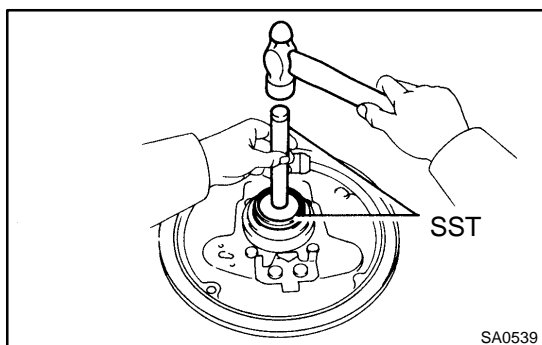
(a) Using SST and a press, remove the bearing.

SST 09223-56010, 09950-60010 (09951-00560)



(b) Using SST and a press, install a new bearing.

SST 09515-30010, 09950-60020 (09951-00890)

**7. INSTALL NEW OUTER OIL SEAL**

Using SST and a hammer, install a new oil seal.

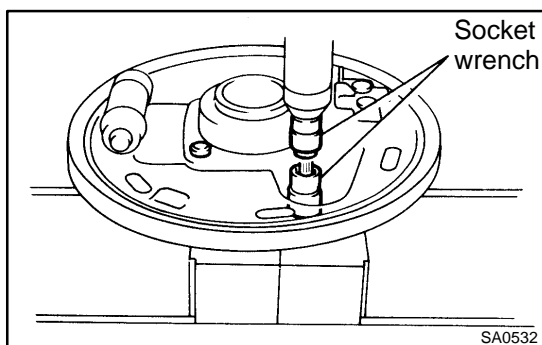
SST 09950-60010 (09951-00610),
09950-70010 (09951-07150)

8. REPLACE BEARING CASE

(a) Remove the oil seal (outer side) and bearing.

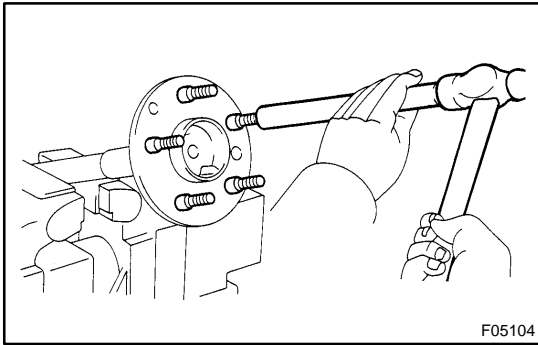
(b) Install 4 nuts to the serration bolts.

(c) Using a hammer, remove the serration bolts and bearing case.

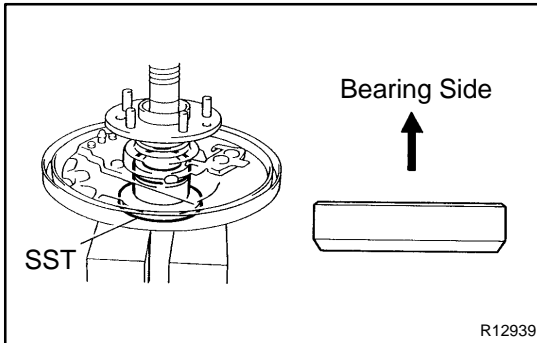


(d) Position the backing plate on a new bearing case and using 2 socket wrenches, install the serration bolts.

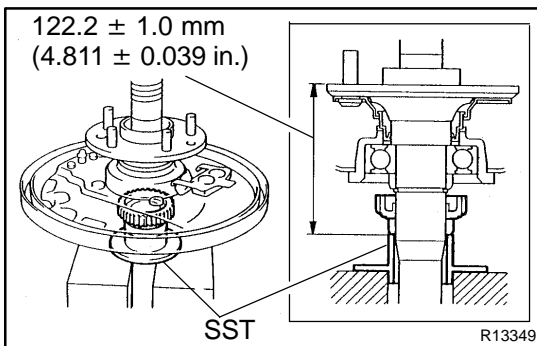
(e) Install a new bearing and oil seal (outer side).

**9. REPLACE OIL DEFLECTOR**

- (a) Using a brass bar and hammer, remove the hub bolts, oil deflector and gasket.
- (b) Position a new gasket on the axle shaft and install a washer and nut to a new hub bolt, as shown in the illustration, and install the hub bolt by torquing the nut.

**10. INSTALL REAR AXLE SHAFT IN BACKING PLATE**

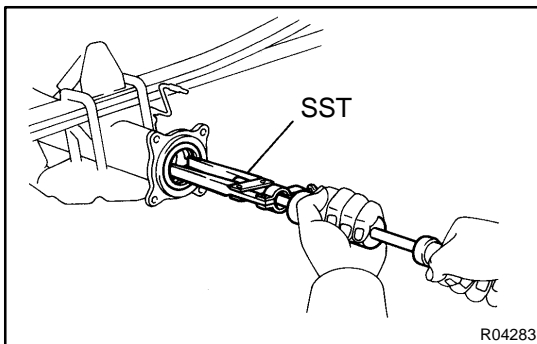
- (a) Coat a new oil seal lip with MP grease.
- (b) Install the backing plate and bearing retainer on the rear axle shaft.
- (c) Using SST and a press, install the rear axle shaft into the backing plate.
SST 09316-60011 (09316-00051)
- (d) Using snap ring expander, install a new snap ring.

**11. w/ ABS:****INSTALL ABS SPEED SENSOR ROTOR AND BEARING RETAINER (DIFFERENTIAL SIDE)**

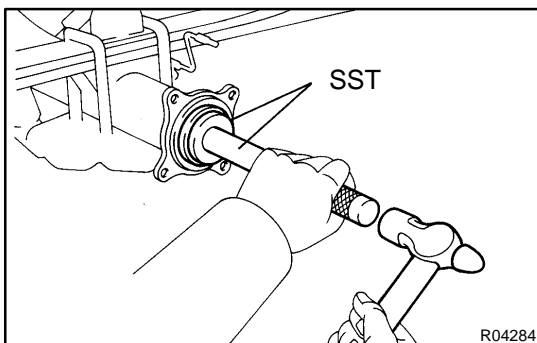
Using SST and a press, install a new sensor rotor and new bearing retainer to the axle shaft.

SST 09316-60011 (09316-00051)

Standard length: 122.2 ± 1.0 mm (4.811 ± 0.039 in.)

**12. REPLACE OIL SEAL (INNER SIDE)**

- (a) Using SST, remove the oil seal.
SST 09308-00010



- (b) Using SST and a hammer, install a new oil seal.
SST 09950-60020 (09951-00710),
09950-70010 (09951-07150)
- (c) Coat a new oil seal lip with MP grease.