

REPLACEMENT

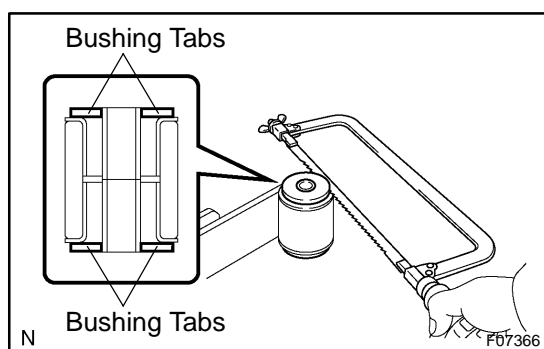
1. REPLACE FRONT EYE BUSHING

Using SST and a press, replace the bushing.

SST 09550-10013 (09252-10010, 09553-10010)

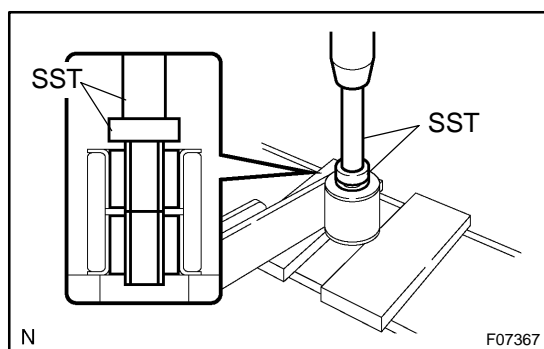
HINT:

When installing the bushing, as shown in the illustration.



2. REPLACE REAR EYE BUSHINGS

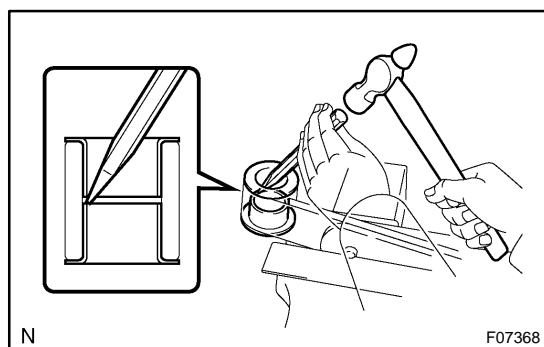
(a) Using a saw, cut the both bushing tabs as shown in the illustration.



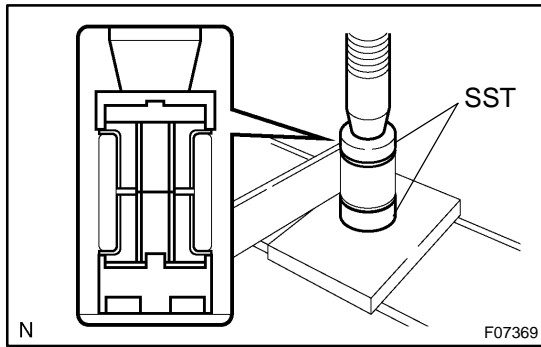
(b) Using SST and a press, press out the both inner tubes and rubber parts of the bushings.

SST 09950-60010 (09951-00350)

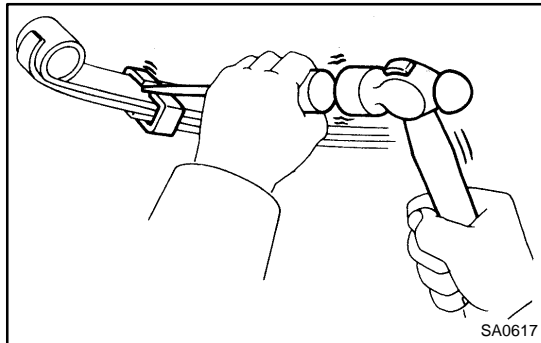
09950-70010 (09951-07150)



(c) Using a chisel and hammer, tap out the outer tubes.

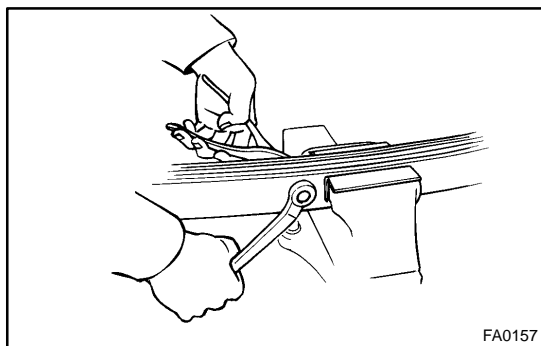


- (d) Using SST and a press, install 2 new bushings.
 SST 09710-28012 (09710-07062),
 09710-30041 (09710-03211)

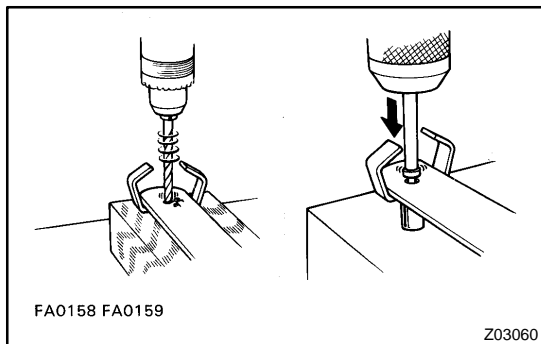


3. REPLACE LEAF SPRING

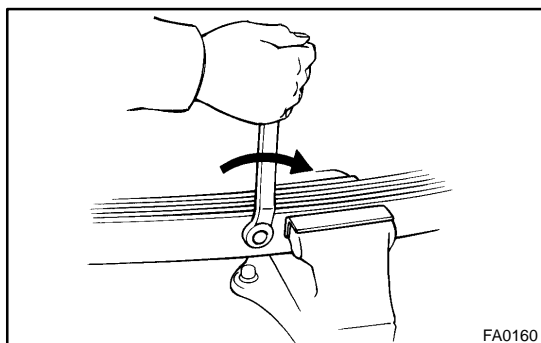
- (a) Bend to open the spring clip.
 Using a chisel and hammer, pry up the spring clip.



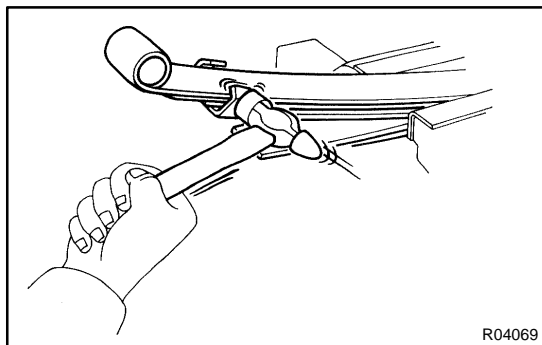
- (b) Remove the center bolt.
 Hold the spring near the center bolt in a vise and remove the center bolt.



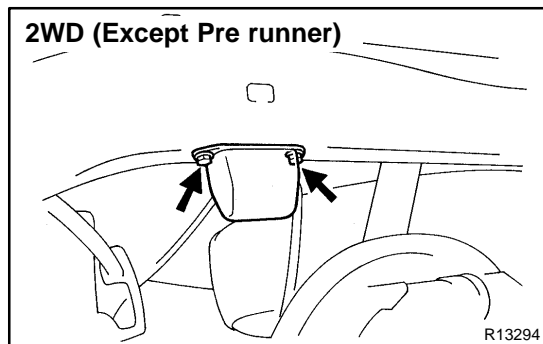
- (c) Replace the spring clip.
 (1) Drill off the head of the rivet and drive it out.
 (2) Install a new rivet into the holes of the spring leaf and clip. Then rivet with a press.



- (d) Install spring center bolt.
 (1) Align the leaf holes and secure the leaves with a vise.
 (2) Install the spring center bolt.
Torque: 44 N·m (450 kgf·cm, 33 ft·lbf)



- (e) Bend the spring clip.
Using a hammer, bend the spring clip into the position.



2WD (Except Pre runner)

4. **2WD (except pre runner):
REPLACE SPRING BUMPER**
- (a) Remove the 2 bolts and spring bumper.
(b) Install the 2 bolts and spring bumper.
- Torque: 29 N·m (300 kgf·cm, 22 ft·lbf)**