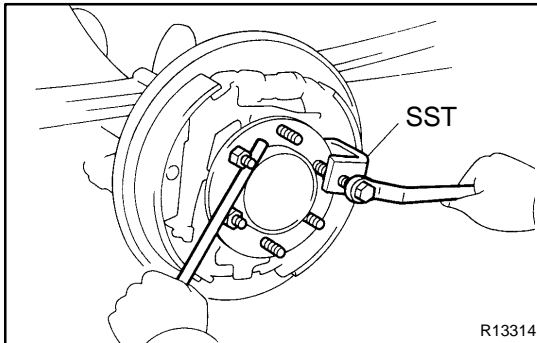


# REAR WHEEL HUB BOLT REPLACEMENT

SA0BC-03

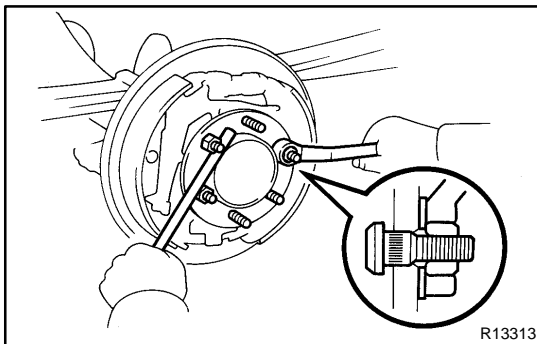
## 1. REMOVE REAR WHEEL AND BRAKE DRUM



## 2. REMOVE REAR HUB BOLT

Using SST and a brass bar or an equivalent, remove the hub bolt.

SST 09650-17011



## 3. INSTALL HUB BOLT

- (a) Install a washer and nut to a new hub bolt as shown in the illustration.
- (b) Using a brass bar or an equivalent to hold, install the hub bolt by torquing the nut.

## 4. INSTALL BRAKE DRUM AND REAR WHEEL

**Torque: 110 N·m (1,150 kgf·cm, 83 ft·lbf)**