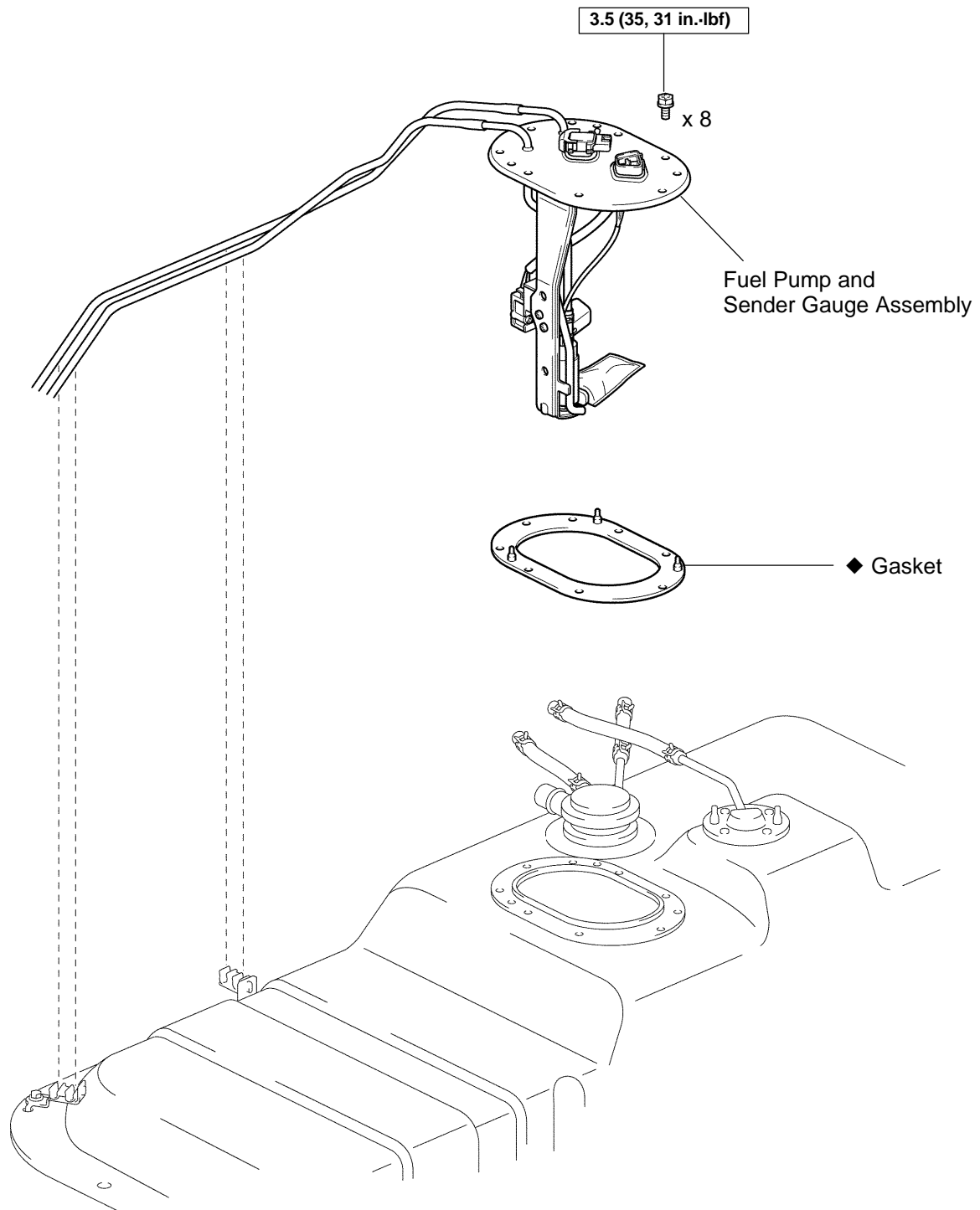
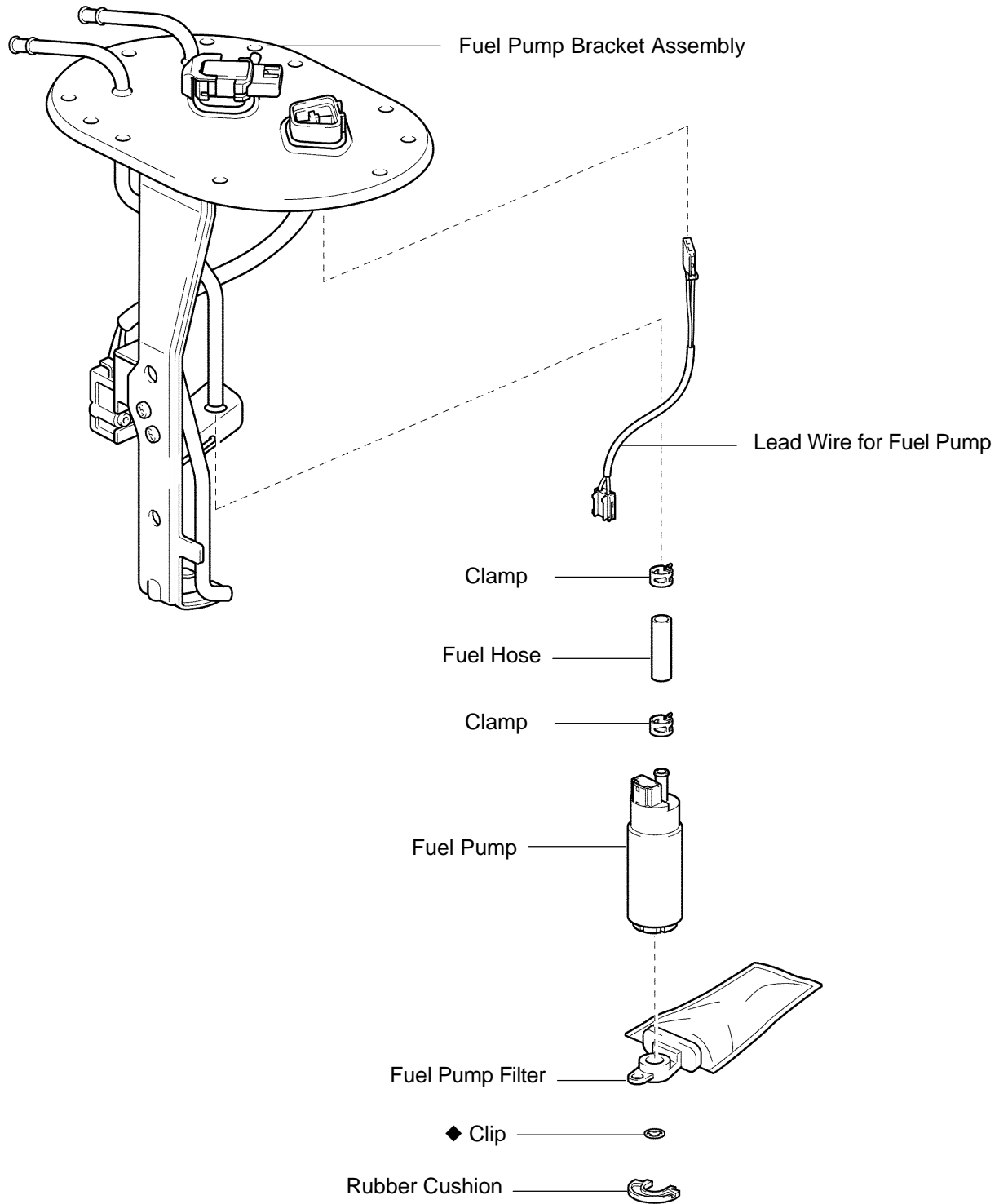


# COMPONENTS



B13289



P ◆ Non-reusable part

B13290