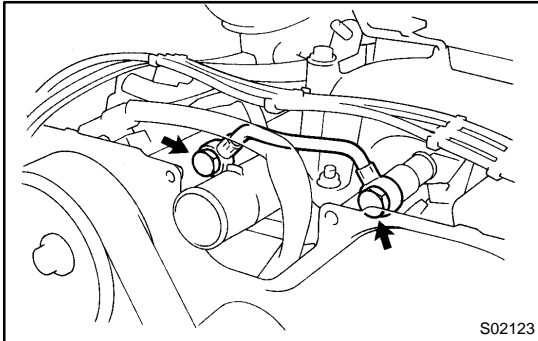


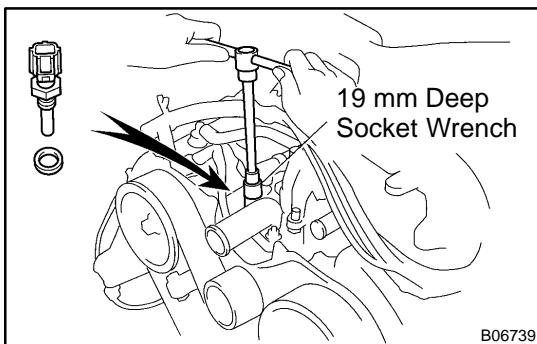
INSPECTION

1. DRAIN ENGINE COOLANT
2. DISCONNECT UPPER RADIATOR HOSE FROM WATER OUTLET
3. REMOVE NO.2 TIMING BELT COVER
(See page [EM-13](#))



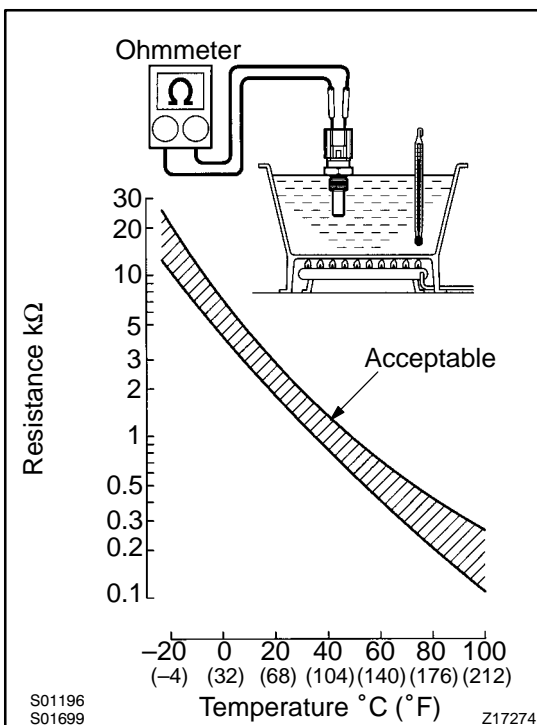
4. REMOVE FUEL PIPE

Remove the 2 union bolt, 4 gaskets and fuel pipe.



5. REMOVE ECT SENSOR

- (a) Disconnect the ECT sensor connector.
- (b) Using a 19 mm deep socket wrench, remove the ECT sensor and gasket.



6. INSPECT ECT SENSOR

Using an ohmmeter, measure the resistance between the terminals.

Resistance: Refer to the graph

If the resistance is not as specified, replace the ECT sensor.

7. REINSTALL ECT SENSOR

- (a) Install a new gasket to the ECT sensor.
- (b) Using a 19 mm deep socket, install the ECT sensor.

Torque: 20 N·m (200 kgf·cm, 14 ft·lbf)

- (c) Connect the ECT sensor connector.

8. REINSTALL FUEL PIPE

Install the fuel pipe with 4 new gaskets and the 2 union bolts.

Torque: 34.3 N·m (350 kgf·cm, 25 ft·lbf)

9. REINSTALL NO.2 TIMING BELT COVER

(See page [EM-19](#))

10. RECONNECT UPPER RADIATOR HOSE TO WATER OUTLET

11. REFILL WITH ENGINE COOLANT