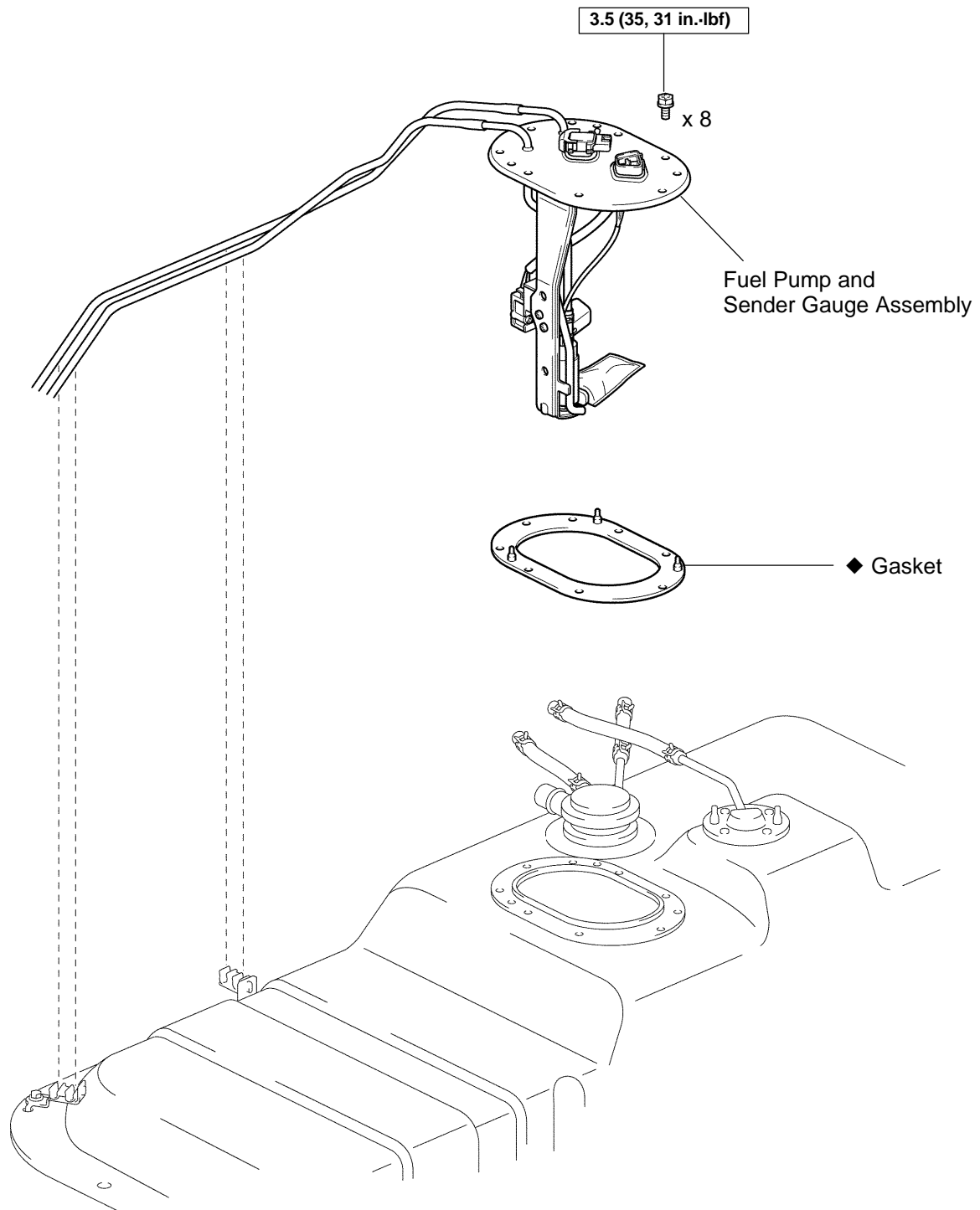


COMPONENTS

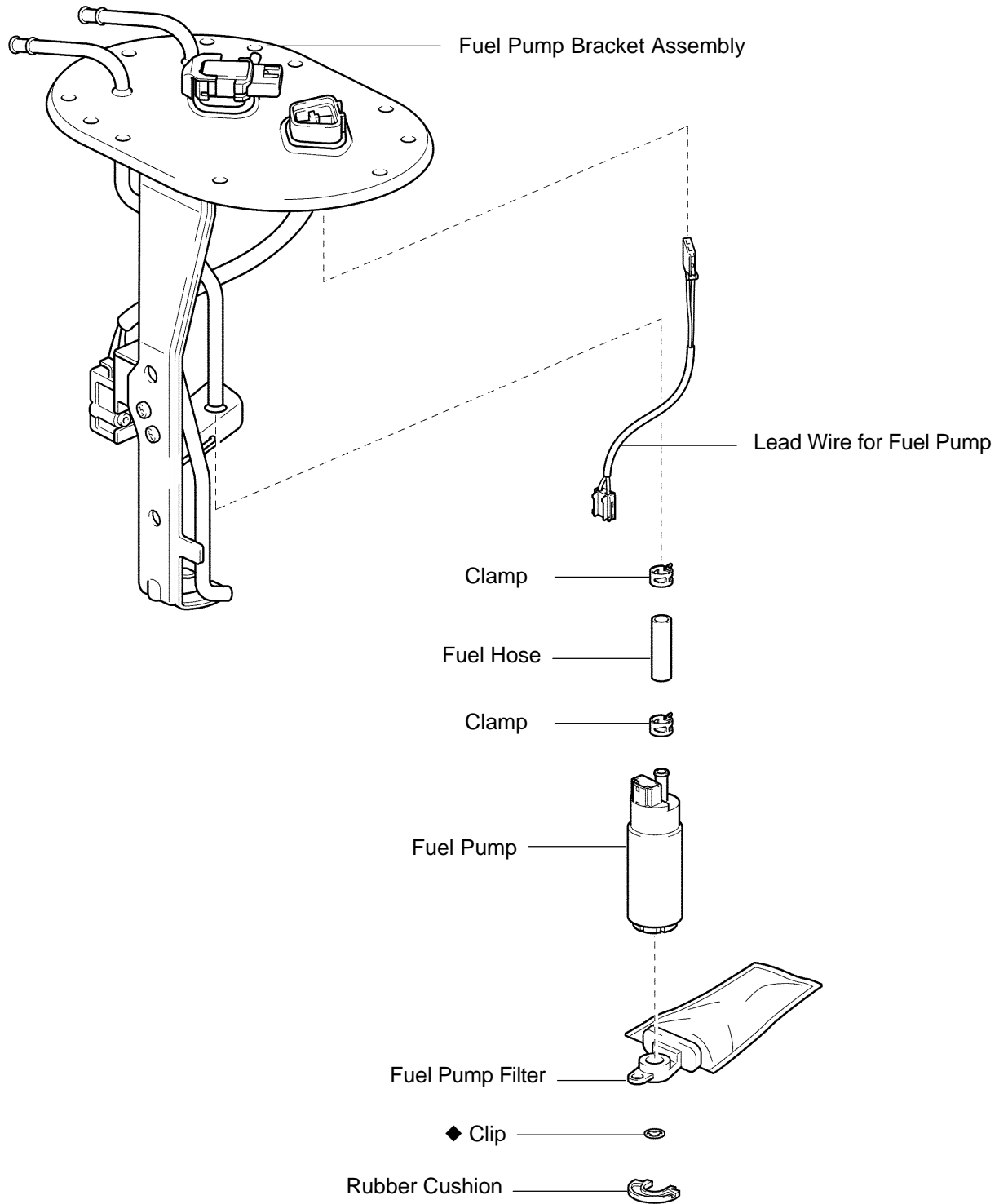


N·m (kgf·cm, ft·lbf) : Specified torque

◆ Non-reusable part

B13289

SFI (5VZ-FE) - FUEL PUMP



P ◆ Non-reusable part

B13290