

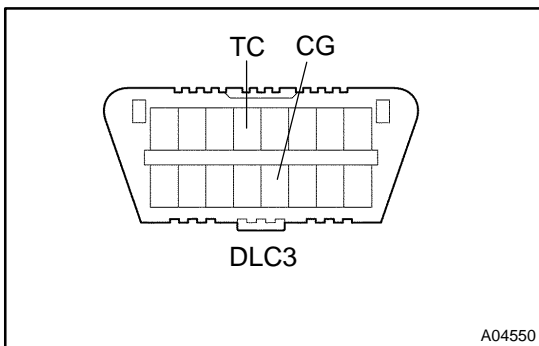
IDLE AIR CONTROL (IAC) VALVE (w/o ETCS-i)

SF04Z-07

ON-VEHICLE INSPECTION

1. INSPECT IAC VALVE OPERATION

- (a) Initial conditions:
- Engine at normal operating temperature
 - Idle speed checked correctly
 - Transmission in neutral position
 - A/C switch OFF



- (b) Using SST, connect terminals TC and CG of the DLC3.
SST 09843-18040
- (c) After engine speed is kept at approx. 1,000 rpm for 5 seconds, check that it returns to the idle speed.

If the engine speed operation is not as specified, check the IAC valve, wiring and ECM.

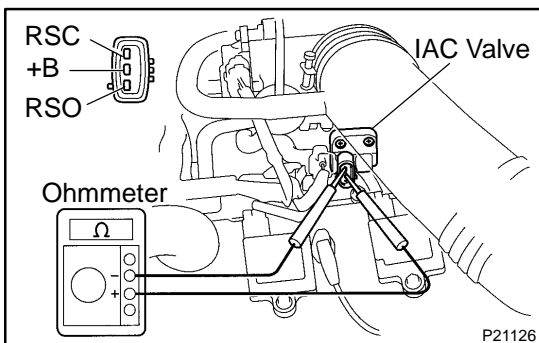
- (d) Remove the SST from the DLC3.
SST 09843-18040

2. INSPECT IAC VALVE RESISTANCE

NOTICE:

"Cold" and "Hot" in the following sentences express the temperature of the coils themselves. "Cold" is from -10°C (14°F) to 50°C (122°F) and "Hot" is from 50°C (122°F) to 100°C (212°F).

- (a) Disconnect the IAC valve connector.



- (b) Using an ohmmeter, measure the resistance between terminal +B and other terminals (RSC, RSO).

Resistance:

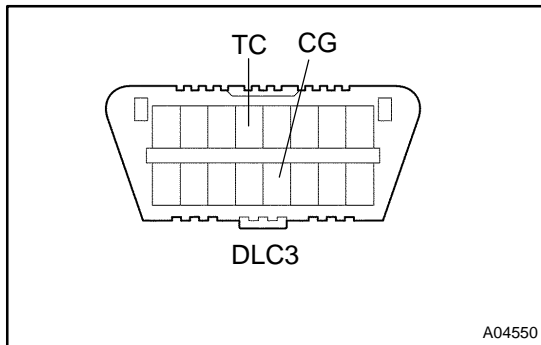
Cold	17.0 - 25.0 Ω
Hot	21.5 - 29.5 Ω

If the resistance is not as specified, replace the IAC valve.

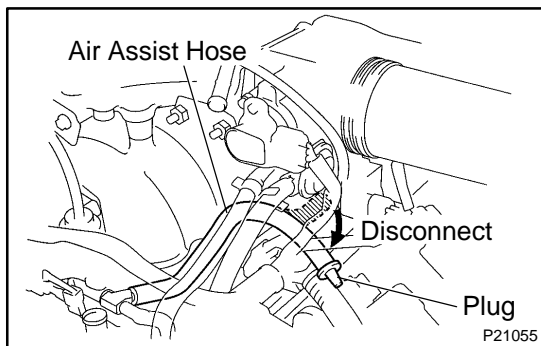
- (c) Reconnect the IAC valve connector.

3. INSPECT AIR ASSIST SYSTEM

- (a) Initial conditions:
- Engine at normal operating temperature
 - Idle speed checked correctly
 - Transmission in neutral position
 - A/C switch OFF



- (b) Using SST, connect terminals TC and CG of the DLC1.
SST 09843-18040
- (c) After the engine speed is kept at 900 – 1,300 rpm for 10 seconds, check that it returns to the idle speed.
- (d) Stop the engine.



- (e) Disconnect the air assist hose from the IAC valve, and plug it.
- (f) Start the engine and check that the idle speed reaches 500 rpm or below (the engine may stall).
If the idle does not reach 500 rpm or below, check for a leak between the air assist hoses, pipe and injectors.
- (g) Remove the SST from the DLC3.
SST 09843-18040
- (h) Reconnect the air assist hose to the IAC valve.