

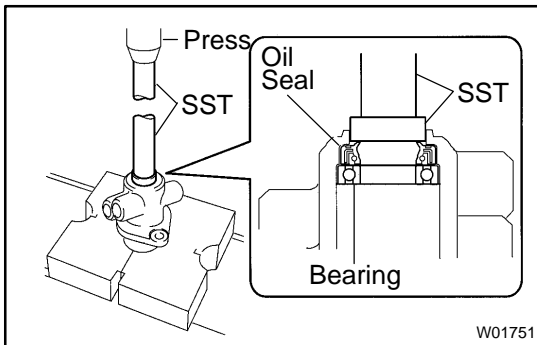
## INSPECTION

### 1. INSPECT STEERING RACK

- (a) Using a dial indicator, check the rack for runout and for teeth wear and damage.

**Maximum runout: 0.3 mm (0.0118 in.)**

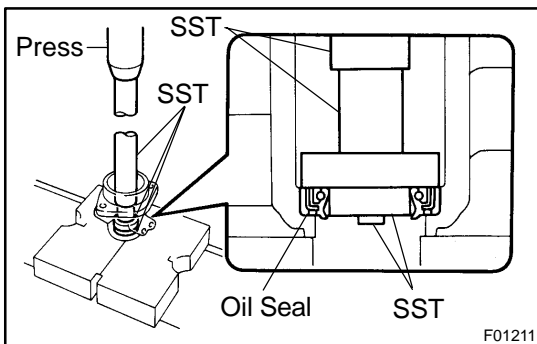
- (b) Check the back surface for wear and damage.



### 2. IF NECESSARY, REPLACE OIL SEAL AND BEARING

- (a) Using SST, press out the oil seal and bearing from the control valve housing.

SST 09950-60010 (09951-00260),  
09950-70010 (09951-07150)



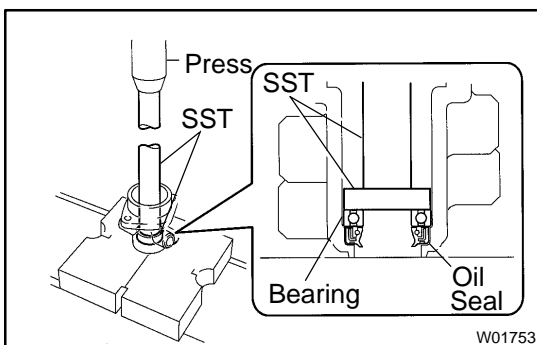
- (b) Coat a new oil seal lip with power steering fluid.

- (c) Using SST, press in the oil seal.

SST 09950-60010 (09951-00180, 09951-00330,  
09952-06010), 09950-70010 (09951-07150)

#### NOTICE:

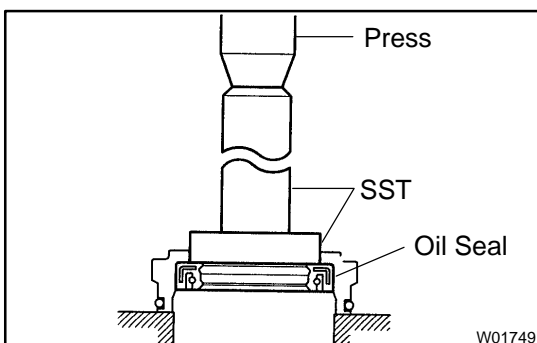
**Make sure to install the oil seal facing the correct direction.**



- (d) Coat a new bearing with molybdenum disulfide lithium base grease.

- (e) Using SST, press in the bearing.

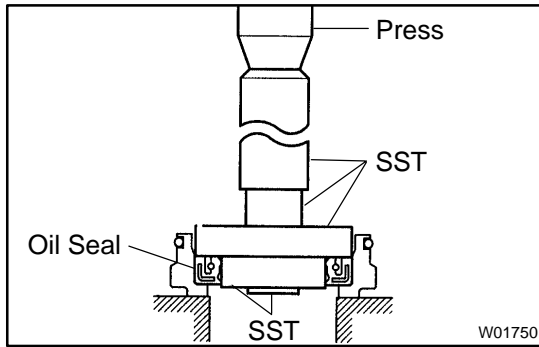
SST 09950-60010 (09951-00330),  
09950-70010 (09951-07150)



### 3. IF NECESSARY, REPLACE OIL SEAL

- (a) Using SST, press out the oil seal from the bearing guide nut.

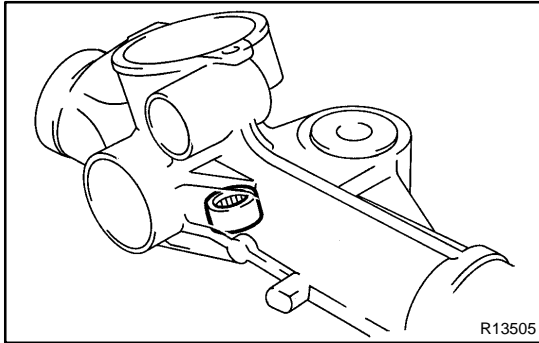
SST 09950-60010 (09951-00320),  
09950-70010 (09951-07100)



- (b) Coat a new oil seal lip with power steering fluid.
- (c) Using SST, press in the oil seal to the bearing guide nut.  
SST 09950-60010 (09951-00280, 09951-00360, 09952-06010), 09950-70010 (09951-07100)

**NOTICE:**

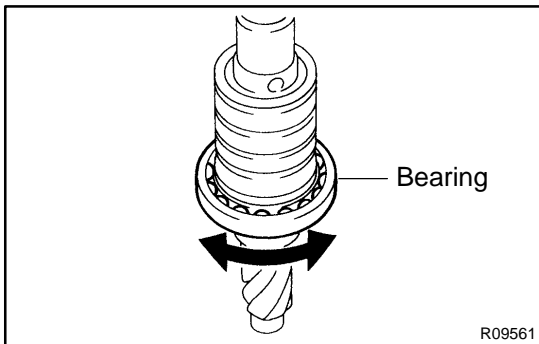
**Make sure to install the oil seal facing the correct direction.**

**4. INSPECT BEARING**

- (a) Check the needle roller bearing of the rack housing for pitting or damage.

If faulty, replace the rack housing.

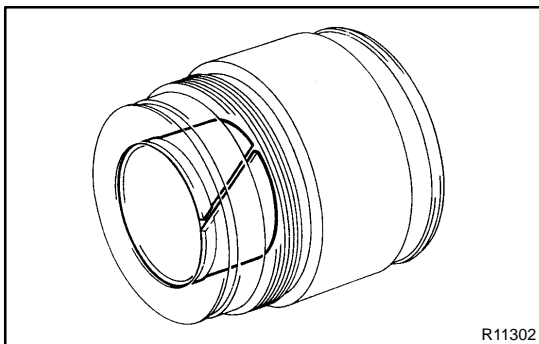
- (b) Coat the inside of the bearing with molybdenum disulfide lithium base grease.

**5. INSPECT BEARING**

- (a) Check the bearing rotation condition and check for abnormal noise.

If the bearing is worn or damaged, replace the control valve assembly.

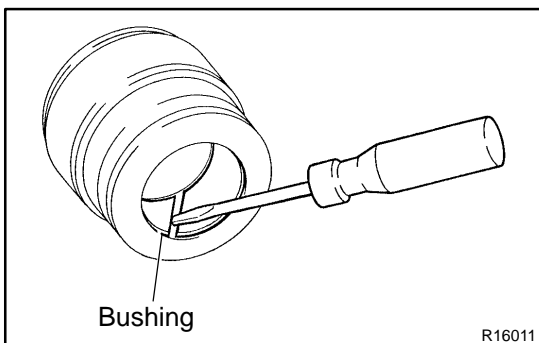
- (b) Coat the bearing with molybdenum disulfide lithium base grease.

**6. INSPECT BUSHING**

- (a) Check the inside of the bushing of the cylinder end stopper for cracks.

If faulty, replace the bushing.

- (b) Coat the inside of the bushing with molybdenum disulfide lithium base grease.

**7. IF NECESSARY, REPLACE BUSHING**

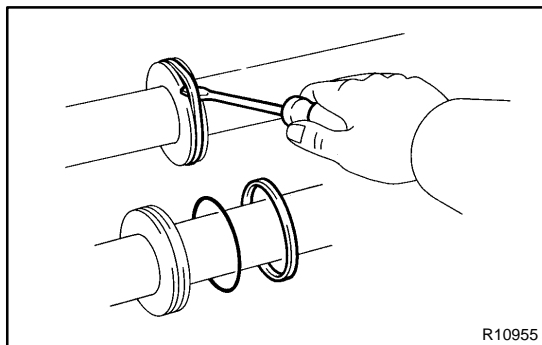
- (a) Using a screwdriver, remove the bushing from the cylinder end stopper.

**NOTICE:**

**Be careful not to damage the cylinder end stopper.**

- (b) Coat the inside of a new bushing with molybdenum disulfide lithium base grease.

- (c) Install the bushing.



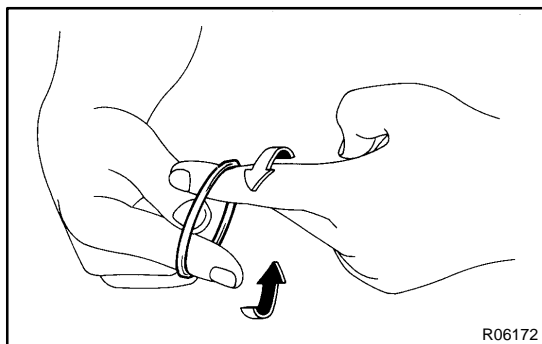
### 8. IF NECESSARY, REPLACE TEFLON RING AND O-RING

- (a) Using a screwdriver, remove the teflon ring and O-ring from the steering rack.

**NOTICE:**

**Be careful not to damage the groove for the ring.**

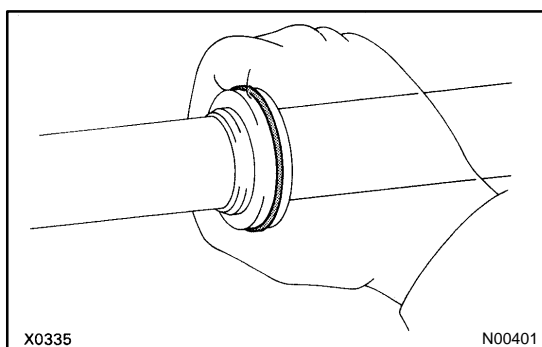
- (b) Coat a new O-ring with power steering fluid and install it.



- (c) Expand a new teflon ring with your fingers.

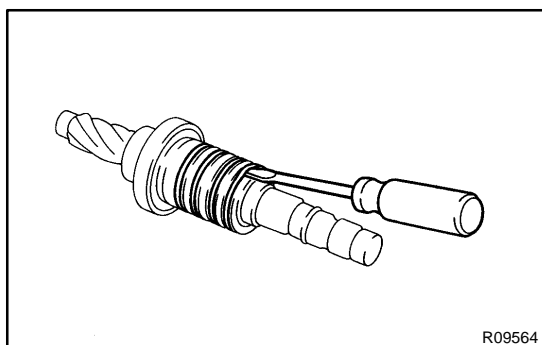
**NOTICE:**

**Be careful not to overexpand the ring.**



- (d) Coat the teflon ring with power steering fluid.

- (e) Install the teflon ring to the rack, and settle it down with your fingers.



### 9. IF NECESSARY, REPLACE TEFLON RINGS

- (a) Using a screwdriver, remove the 4 teflon rings from the control valve assembly.

**NOTICE:**

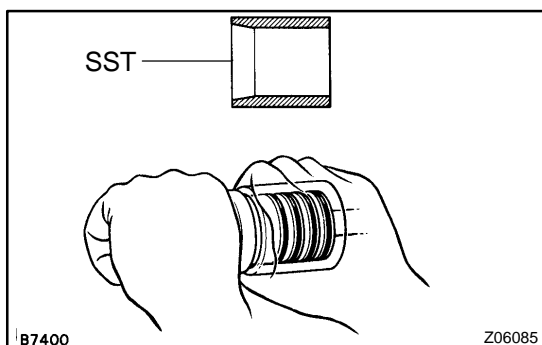
**Be careful not to damage the grooves for the teflon ring.**

- (b) Expand 4 new teflon rings with your fingers.

**NOTICE:**

**Be careful not to overexpand the teflon ring.**

- (c) Coat the teflon rings with power steering fluid.



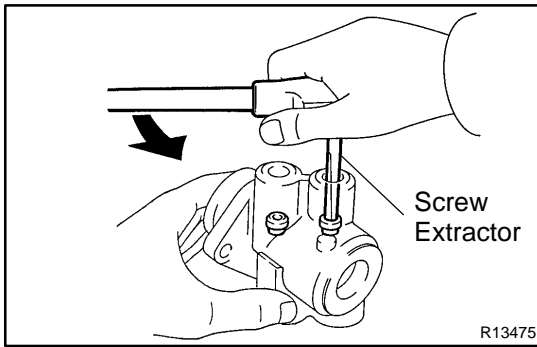
- (d) Install the teflon rings to the control valve assembly, and settle them down with your fingers.

- (e) Carefully slide the tapered end of SST over the teflon rings until the ring fits to the steering rack.

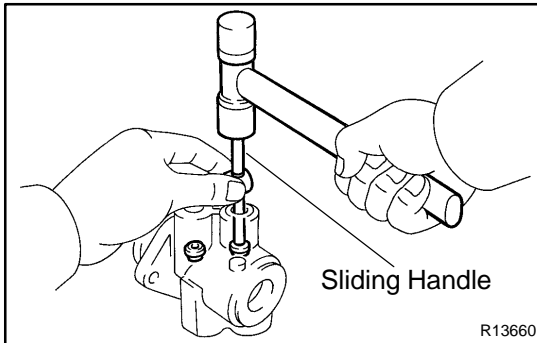
SST 09631-20081

**NOTICE:**

**Be careful not to damage the rings.**

**10. IF NECESSARY, REPLACE UNION SEATS**

- (a) Using a screw extractor, remove the 2 union seats from the control valve housing.



- (b) Using a plastic hammer and sliding handle, lightly tap in 2 new union seats.

**NOTICE:**

**Before installing the union seat, remove dust sticking to the control valve housing.**