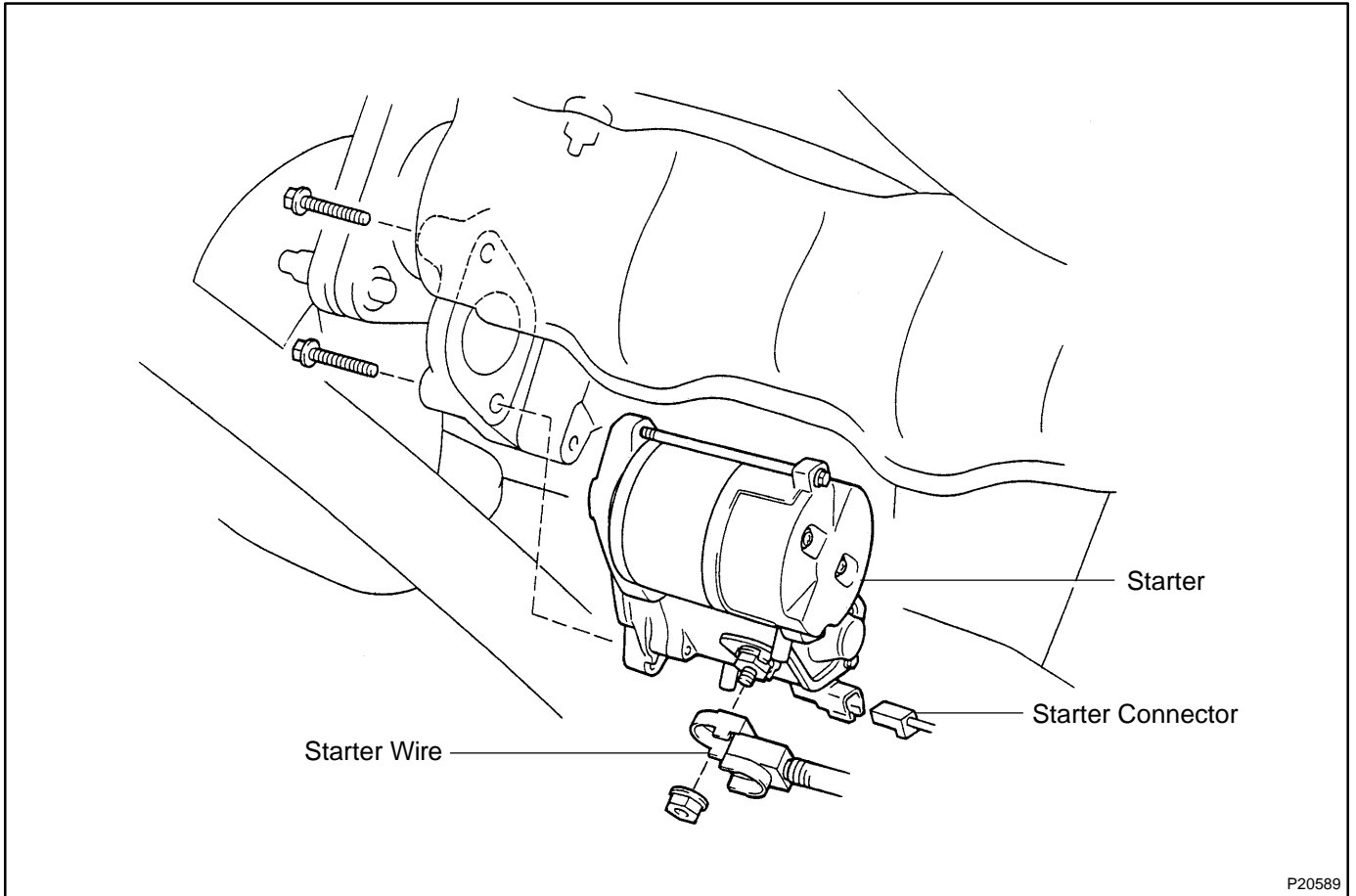
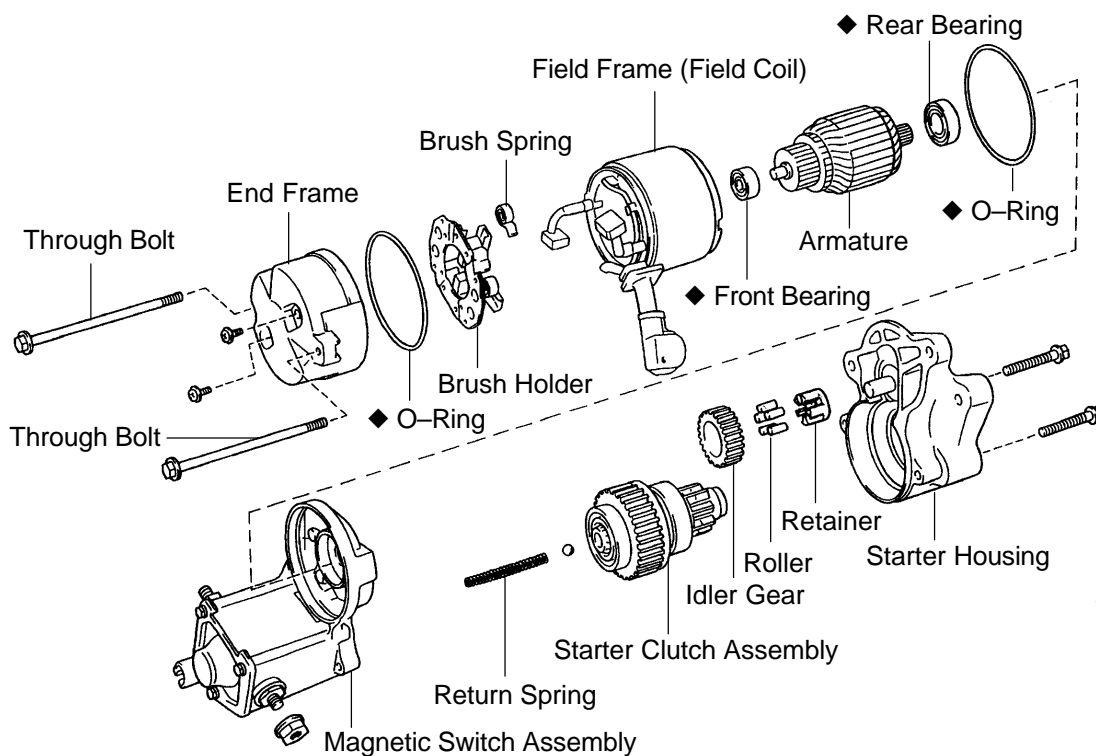


# STARTER COMPONENTS

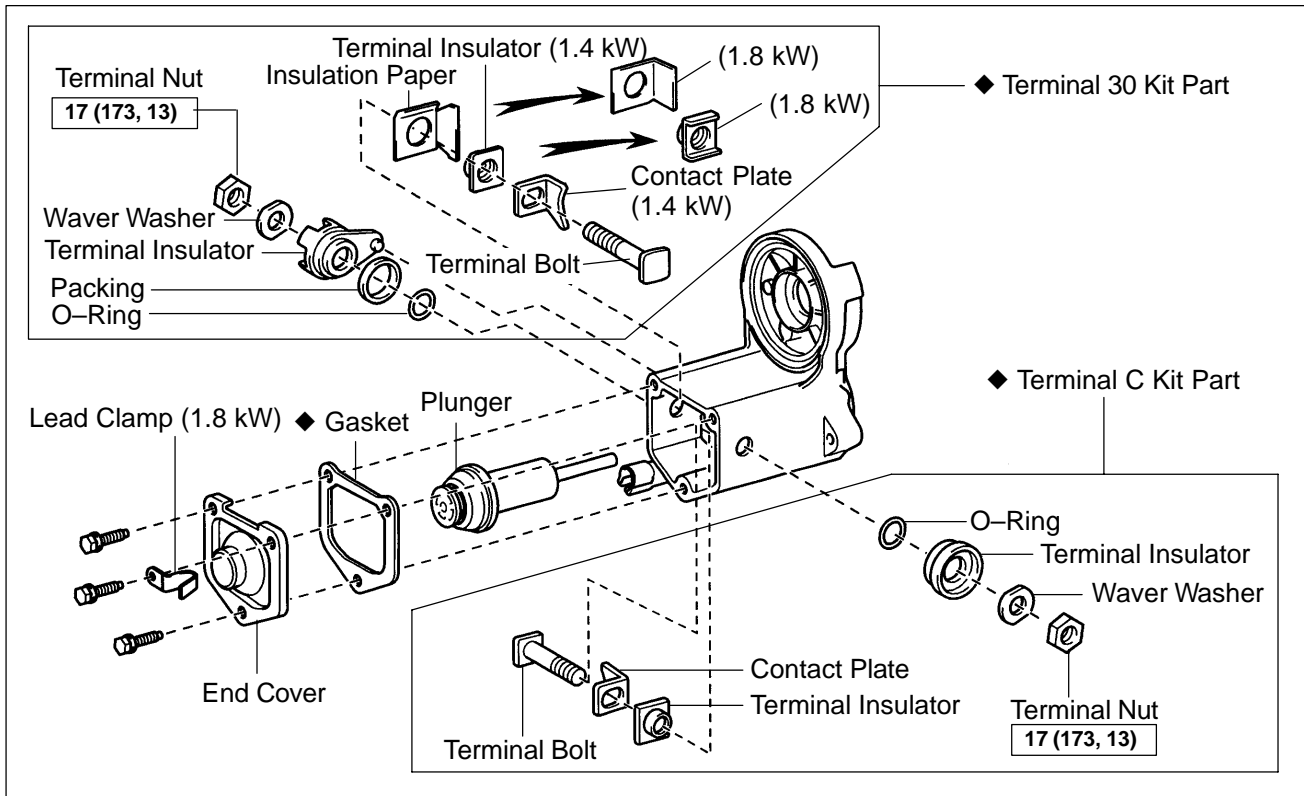


P20589



Magnetic Switch Assembly

S05731



N·m (kgf·cm, ft·lbf) : Specified torque

◆ Non-reusable part

S02425

Z19063