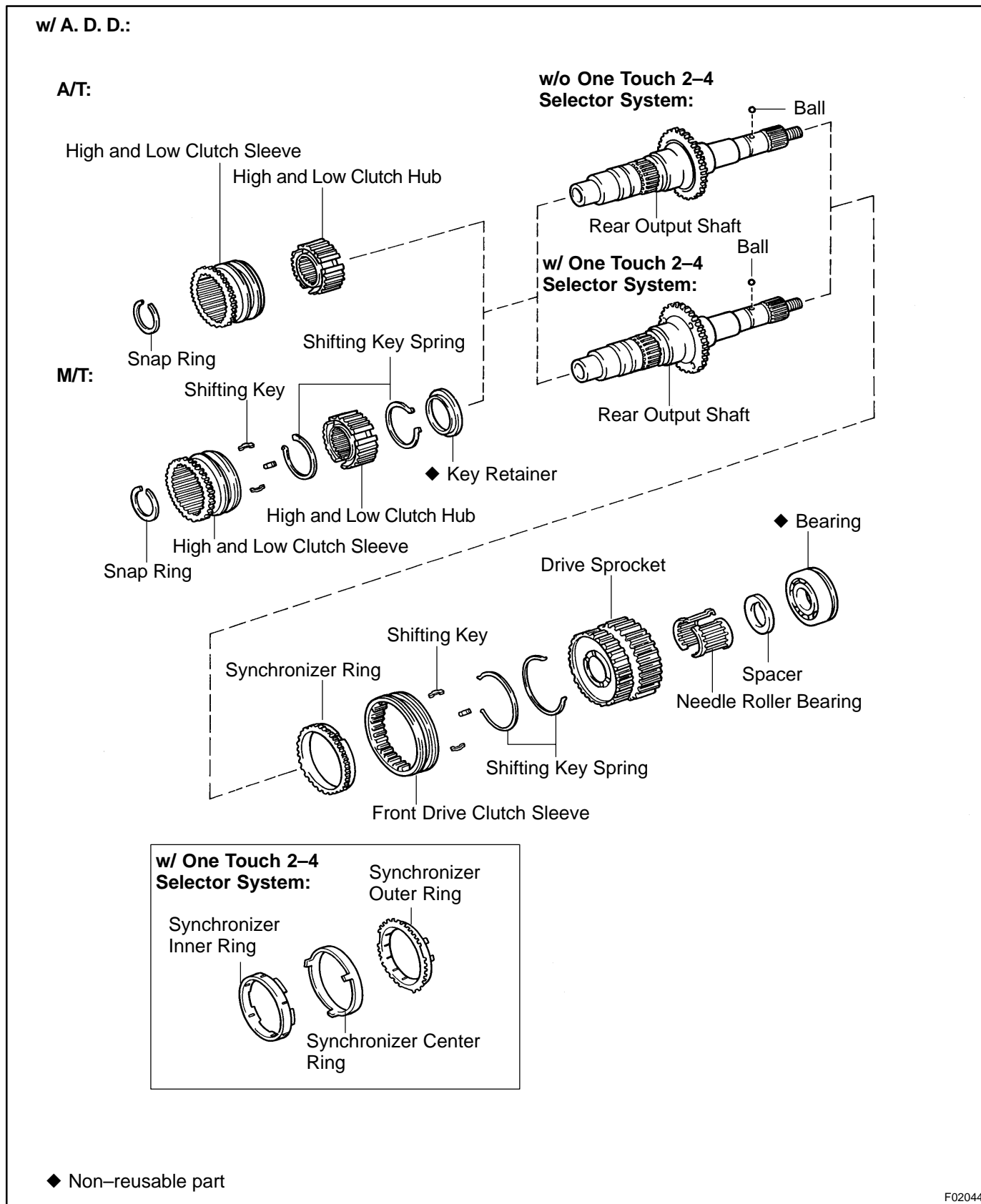


REAR OUTPUT SHAFT COMPONENTS

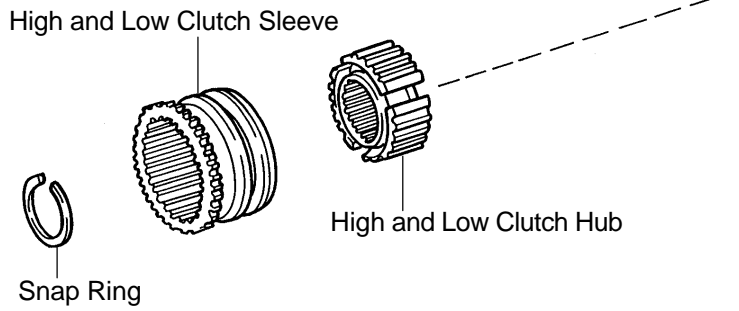
TR017-01



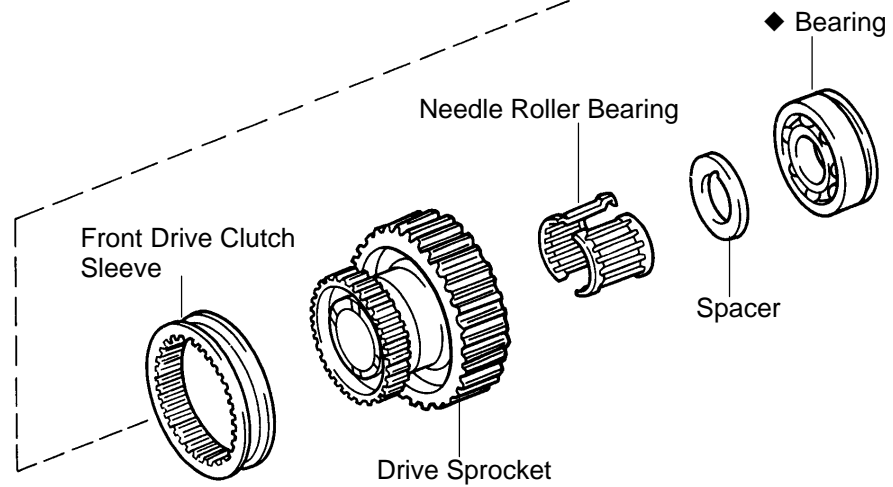
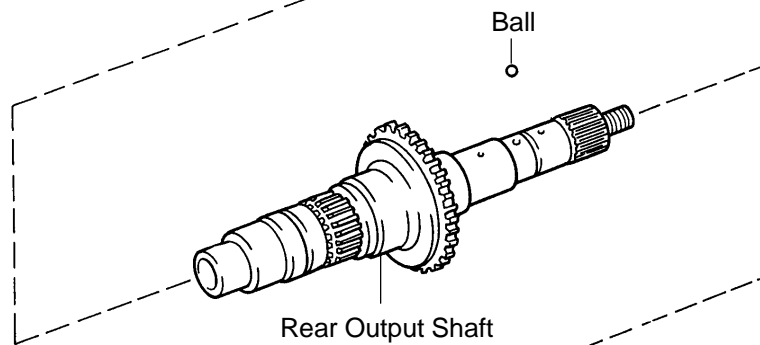
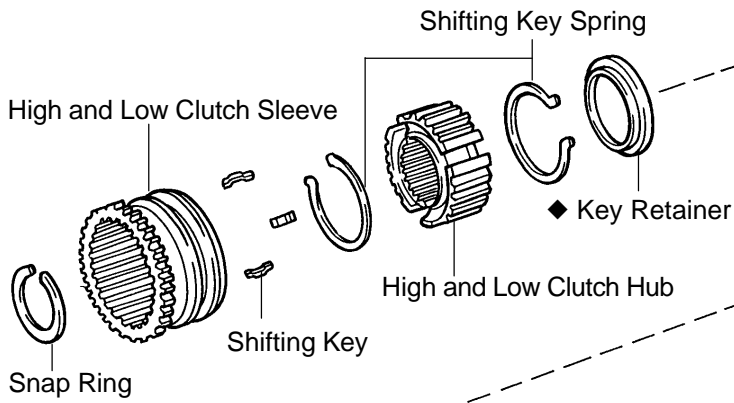
F02044

w/o A. D. D.:

A/T:



M/T:



◆ Non-reusable part

F02045