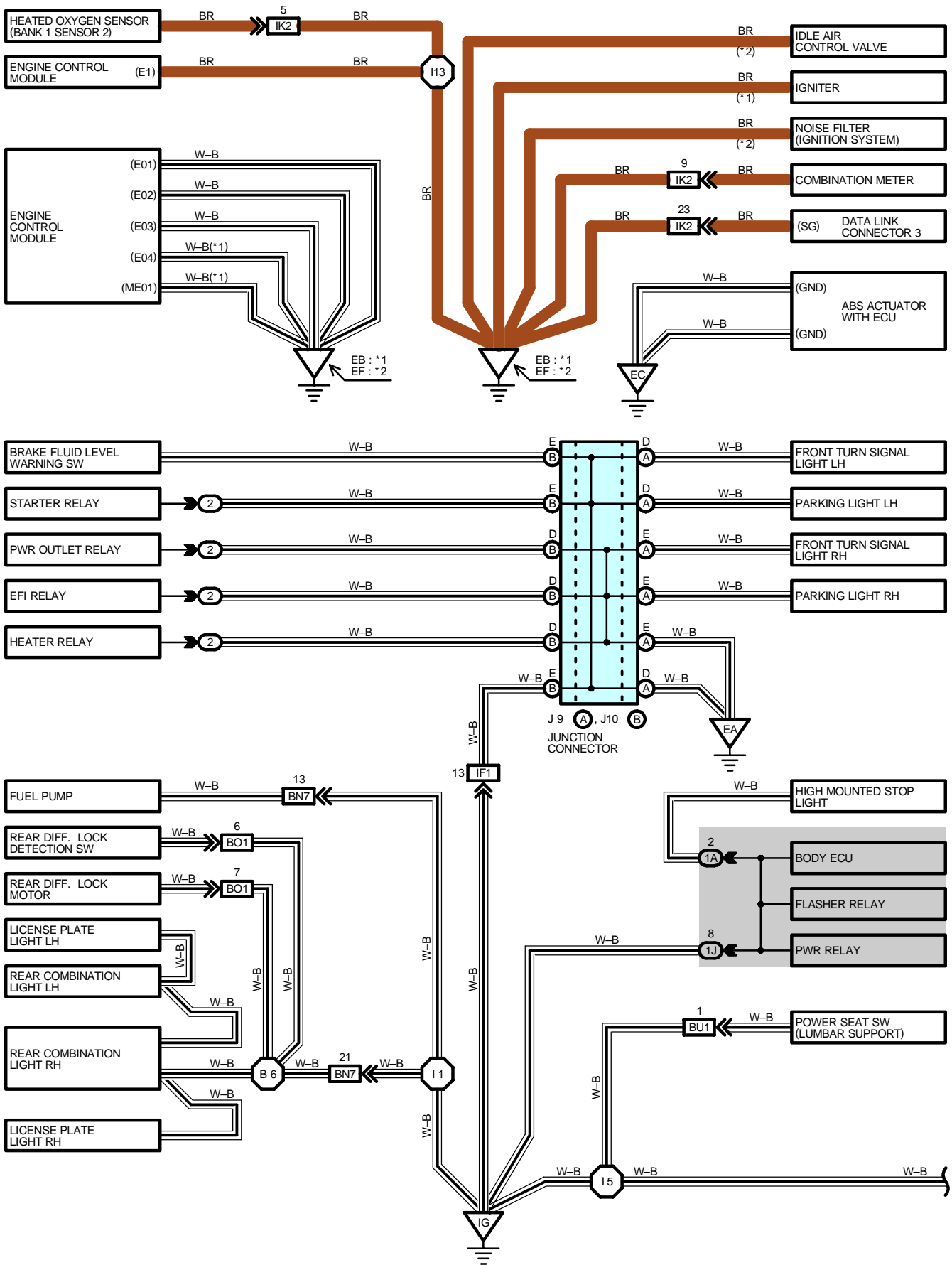
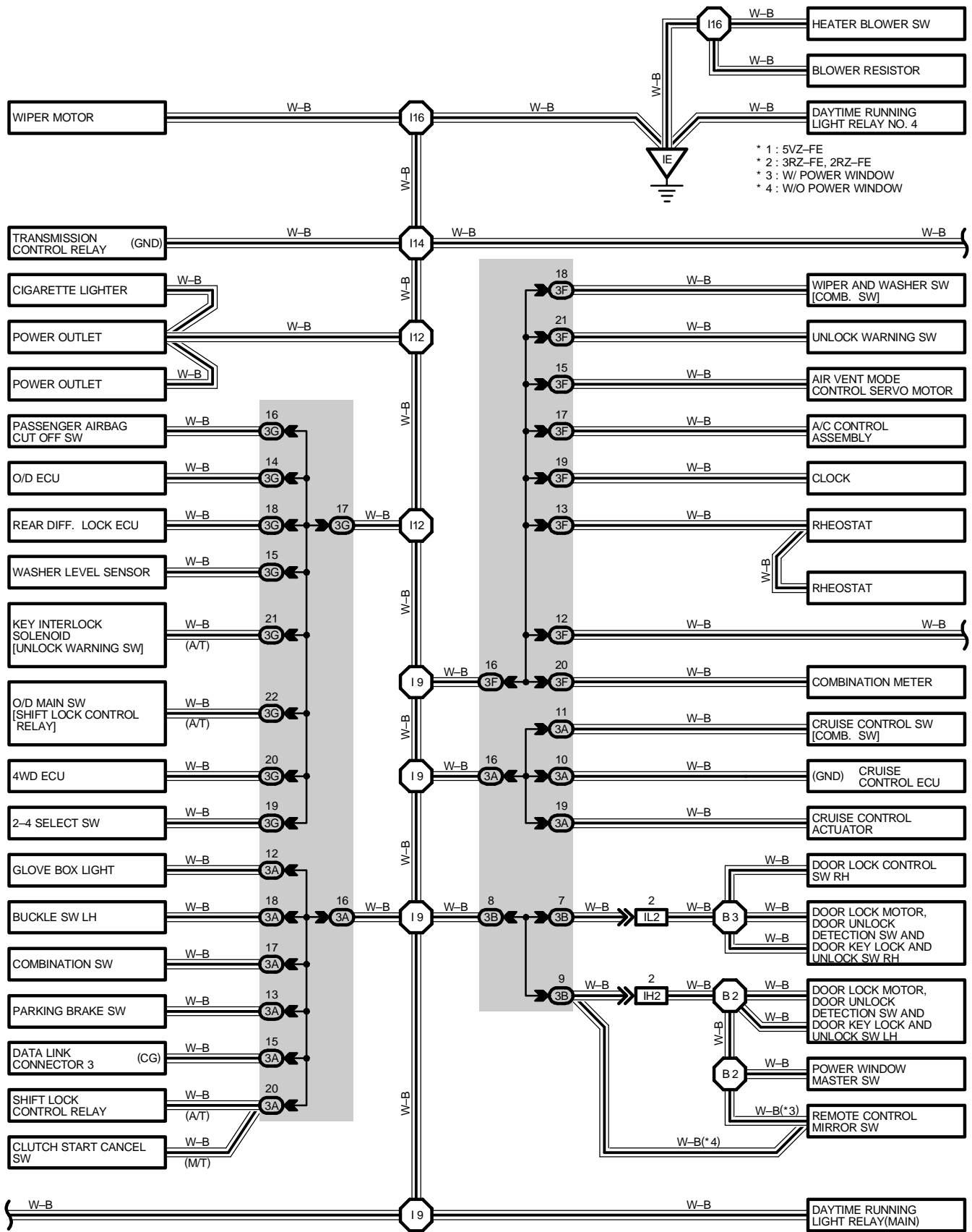


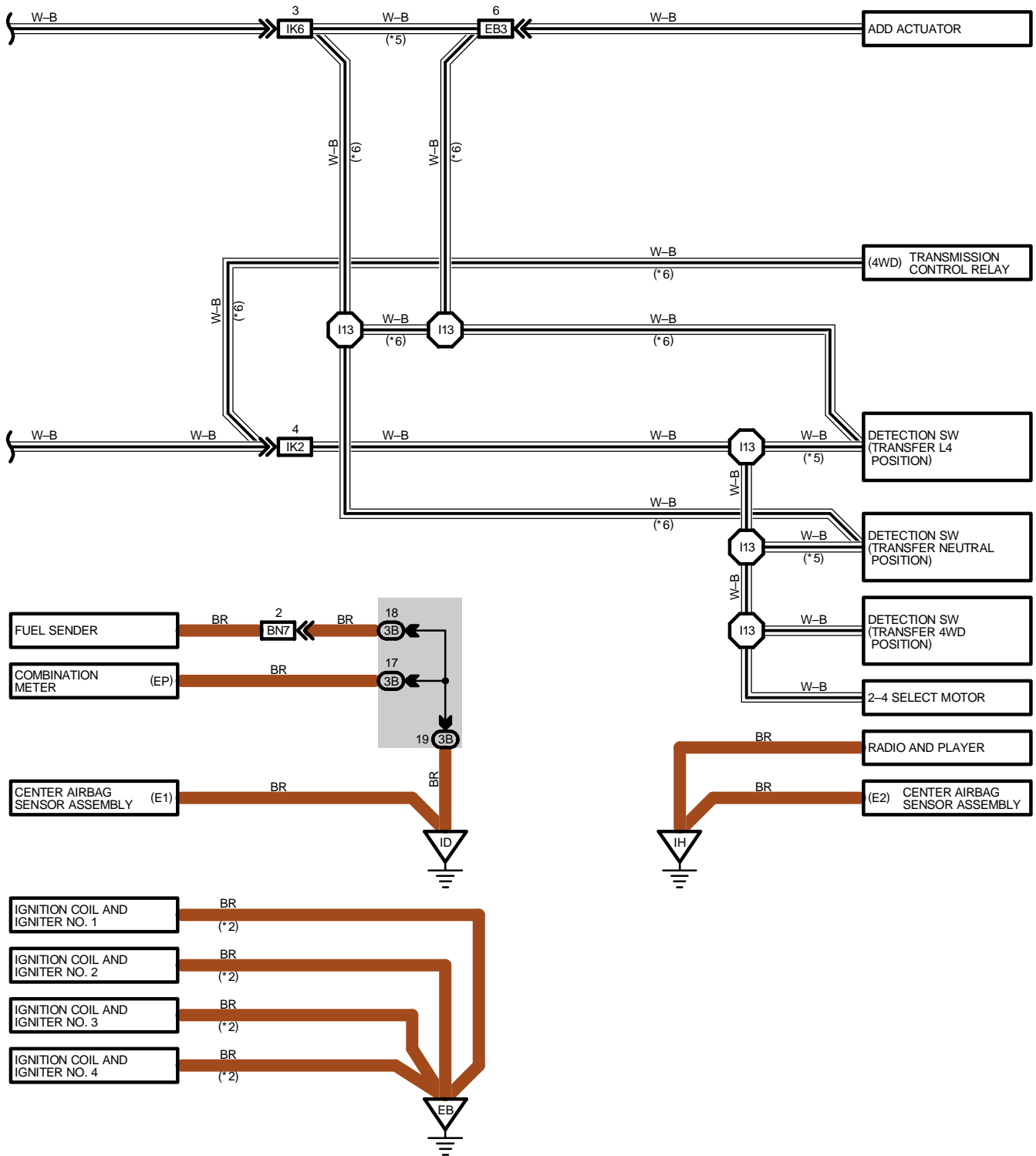
# I GROUND POINT





# I GROUND POINT

- \* 2 : 3RZ-FE, 2RZ-FE
- \* 5 : W/ 2-4 SELECT SW
- \* 6 : W/O 2-4 SELECT SW



 : PARTS LOCATION

| Code |   | See Page            | Code |   | See Page            | Code | See Page |
|------|---|---------------------|------|---|---------------------|------|----------|
| J9   | A | 33 (3RZ-FE, 2RZ-FE) | J10  | B | 33 (3RZ-FE, 2RZ-FE) |      |          |
|      |   | 31 (5VZ-FE)         |      |   | 31 (5VZ-FE)         |      |          |

 : RELAY BLOCKS

| Code | See Page | Relay Blocks (Relay Block Location) |
|------|----------|-------------------------------------|
| 2    | 21       | R/B No.2 (Engine Compartment Left)  |

 : JUNCTION BLOCK AND WIRE HARNESS CONNECTOR

| Code | See Page | Junction Block and Wire Harness (Connector Location)        |
|------|----------|---|
| 1A   | 23       | Roof Wire and J/B No.1 (Lower Finish Panel)                 |
| 1J   | 23       | Cowl Wire and J/B No.1 (Lower Finish Panel)                 |
| 3A   | 24       | Cowl Wire and J/B No.3 (Behind the Instrument Panel Left)   |
| 3B   |          |   |
| 3F   |          |   |
| 3G   | 26       | Cowl Wire and J/B No.3 (Behind the Instrument Panel Center) |

 : CONNECTOR JOINING WIRE HARNESS AND WIRE HARNESS

| Code | See Page               | Joining Wire Harness and Wire Harness (Connector Location)        |
|------|------------------------|---|
| EB3  | 40 (5VZ-FE)            | Engine Wire and Differential Wire (Front Differential Upper Side) |
|      | 42 (3RZ-FE, 2RZ-FE)    |   |
| IF1  | 44                     | Engine Room Main Wire and Cowl Wire (Left Kick Panel)             |
| IH2  | 44                     | Front Door LH Wire and Cowl Wire (Left Kick Panel)                |
| IK2  | 44                     | Engine Wire and Cowl Wire (Above the Glove Box)                   |
| IK6  |                        |   |
| IL2  | 44                     | Front Door RH Wire and Cowl Wire (Right Kick Panel)               |
| BN7  | 46 (Double Cab)        | Frame Wire and Cowl Wire (Under the Driver's Seat)                |
|      | 48 (Except Double Cab) |   |
| BO1  | 46 (Double Cab)        | Frame Wire and Differential No.2 Wire (Rear Side Member LH)       |
|      | 48 (Except Double Cab) |   |
| BU1  | 50                     | Cowl Wire and Seat No.1 Wire (Under the Driver's Seat)            |

 : GROUND POINTS

| Code | See Page            | Ground Points Location                     |
|------|---------------------|--|
| EA   | 40 (5VZ-FE)         | Front Left Fender                          |
|      | 42 (3RZ-FE, 2RZ-FE) |  |
| EB   | 40 (5VZ-FE)         | Near the Throttle Body                     |
|      | 42 (3RZ-FE, 2RZ-FE) | Under the Data Link Connector 1            |
| EC   | 40 (5VZ-FE)         | Front Right Fender                         |
|      | 42 (3RZ-FE, 2RZ-FE) |  |
| EF   | 42 (3RZ-FE, 2RZ-FE) | Ignition Coil Bracket                      |
| ID   | 44                  | Left Kick Panel                            |
| IE   | 44                  | Around the Right Edge of the Reinforcement |
| IG   | 44                  | Around the Left Edge of the Reinforcement  |
| IH   | 44                  | Right Kick Panel                           |

# I GROUND POINT



: SPLICE POINTS

| Code | See Page | Wire Harness with Splice Points | Code | See Page               | Wire Harness with Splice Points |
|------|----------|---------------------------------|------|------------------------|---------------------------------|
| I1   | 44       | Cowl Wire                       | B2   | 46 (Double Cab)        | Front Door LH Wire              |
| I5   |          |                                 |      | 48 (Except Double Cab) |                                 |
| I9   |          |                                 | B3   | 46 (Double Cab)        | Front Door RH Wire              |
| I12  |          |                                 |      | 48 (Except Double Cab) |                                 |
| I13  | 44       | Engine Wire                     | B6   | 46 (Double Cab)        | Frame Wire                      |
| I14  | 44       | Cowl Wire                       |      | 48 (Except Double Cab) |                                 |
| I16  |          |                                 |      |                        |                                 |

