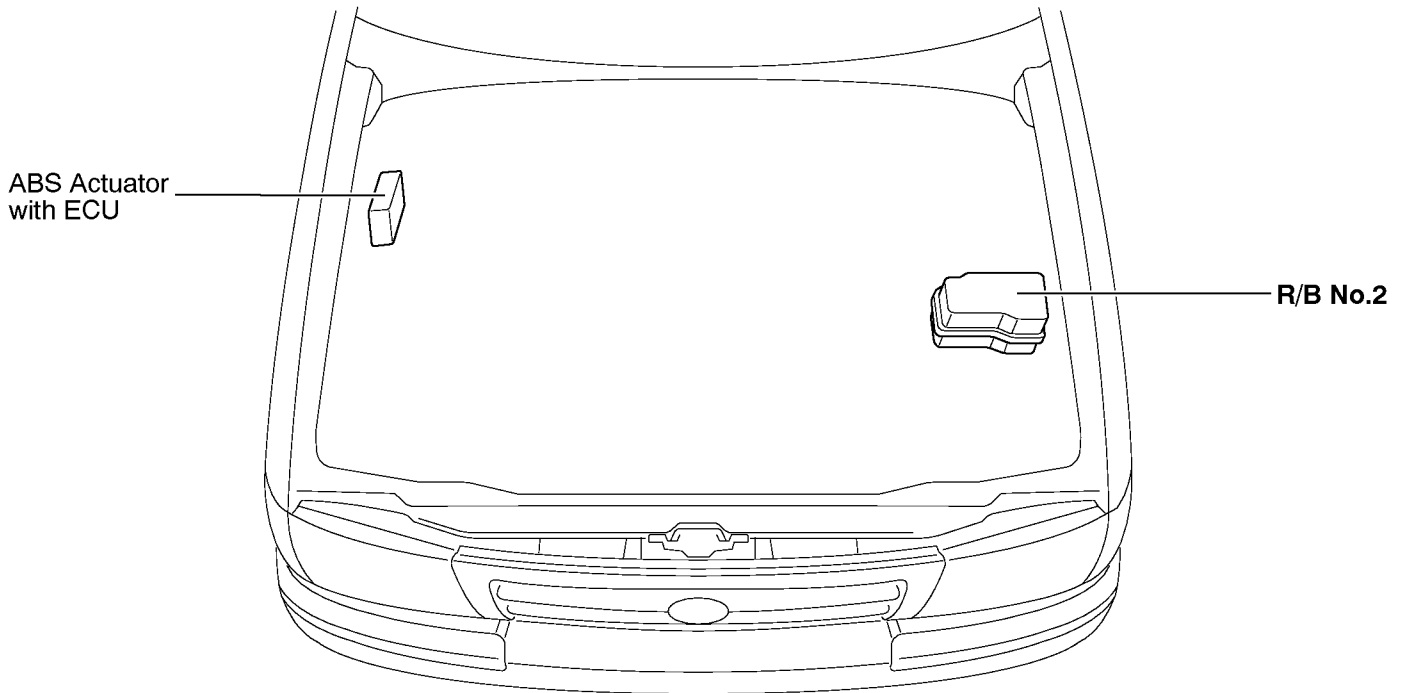
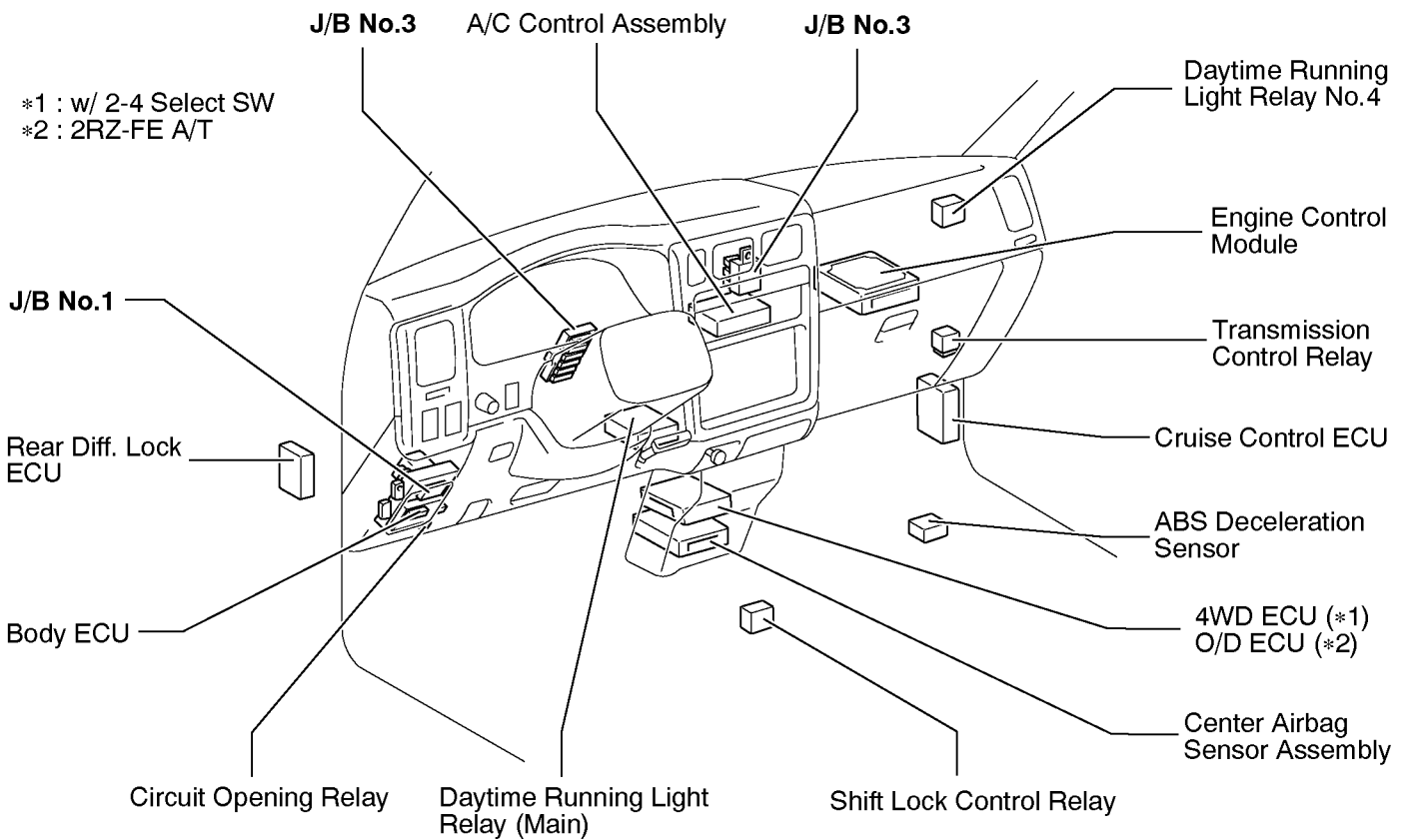


F RELAY LOCATIONS

[Engine Compartment]

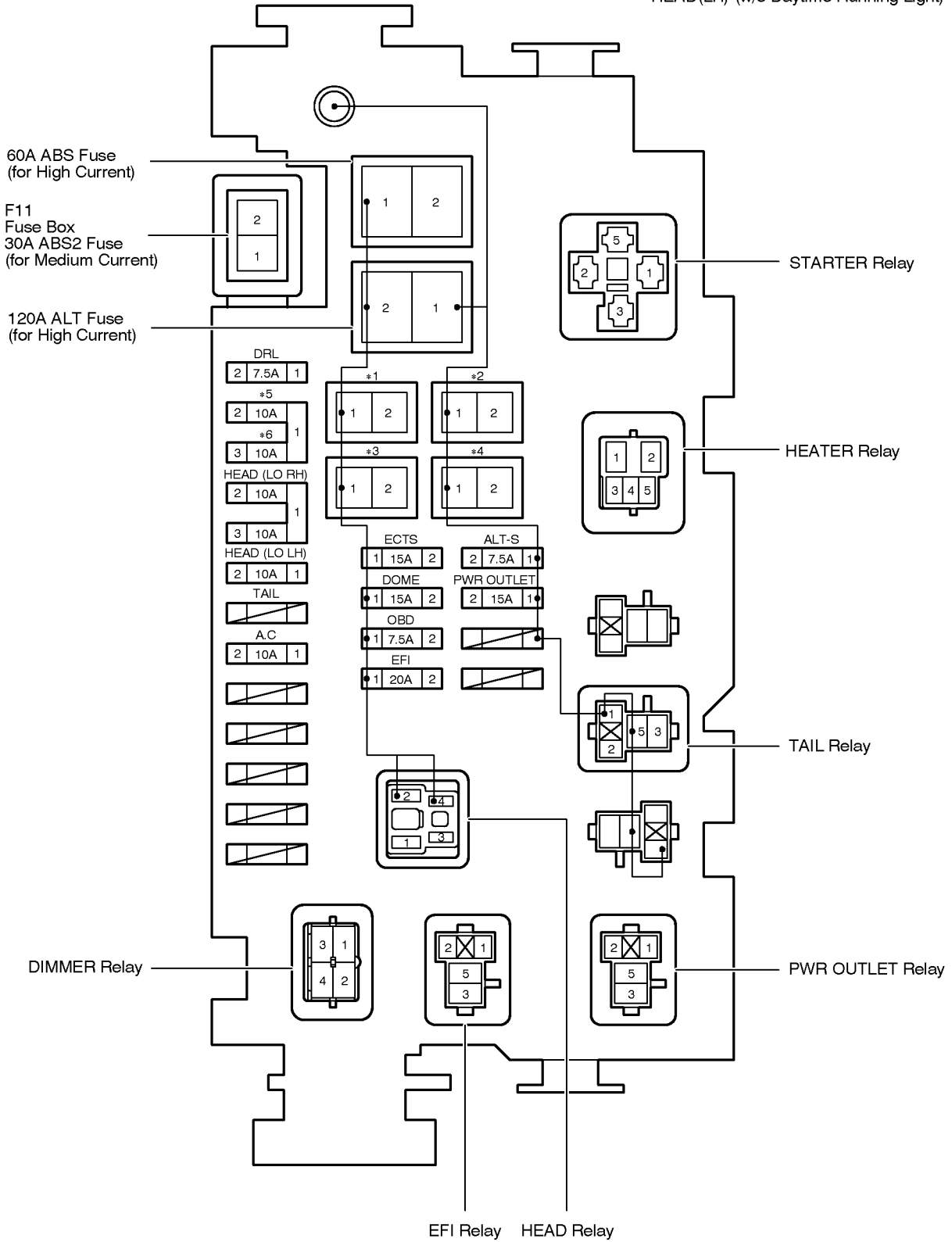


[Instrument Panel]



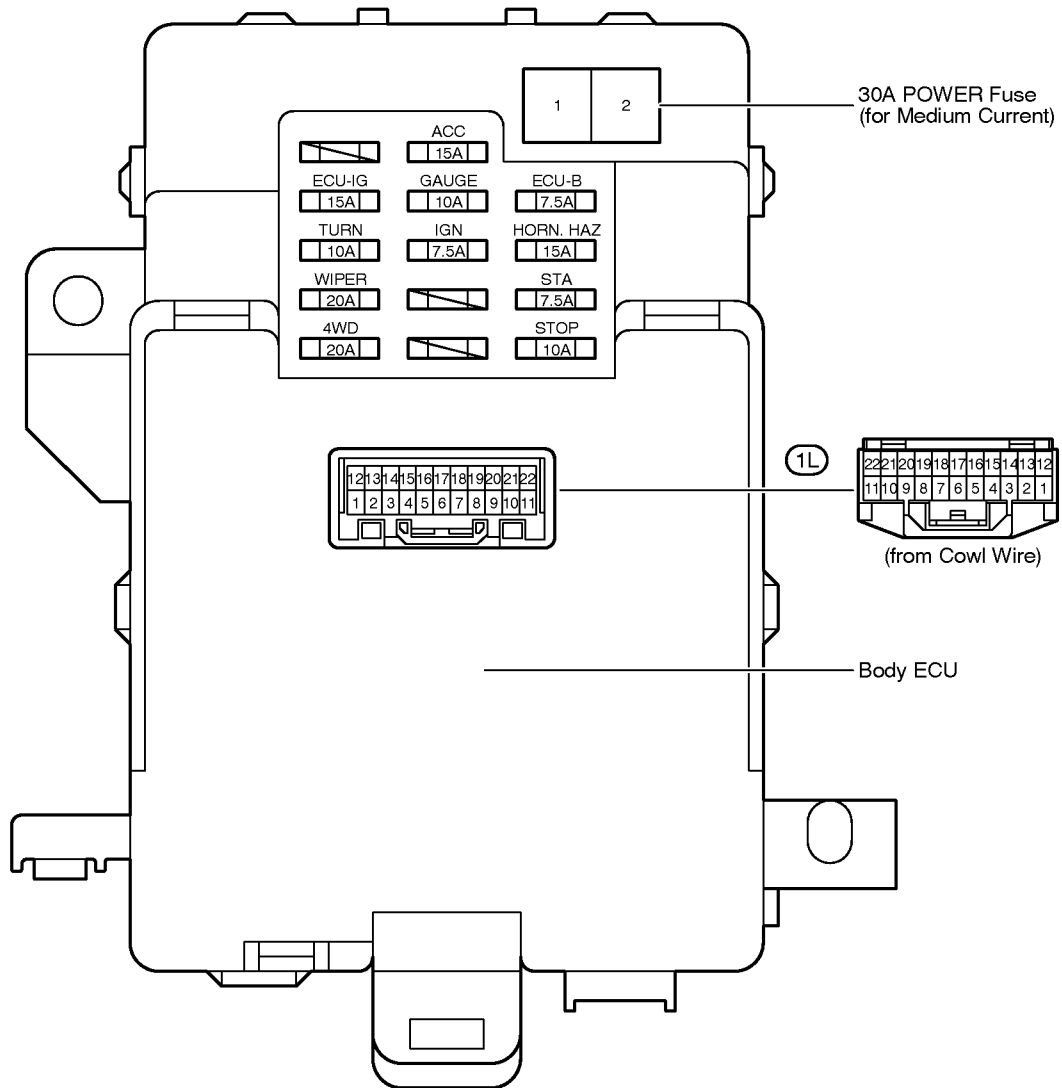
② : R/B No.2 Engine Compartment Left (See Page 20)

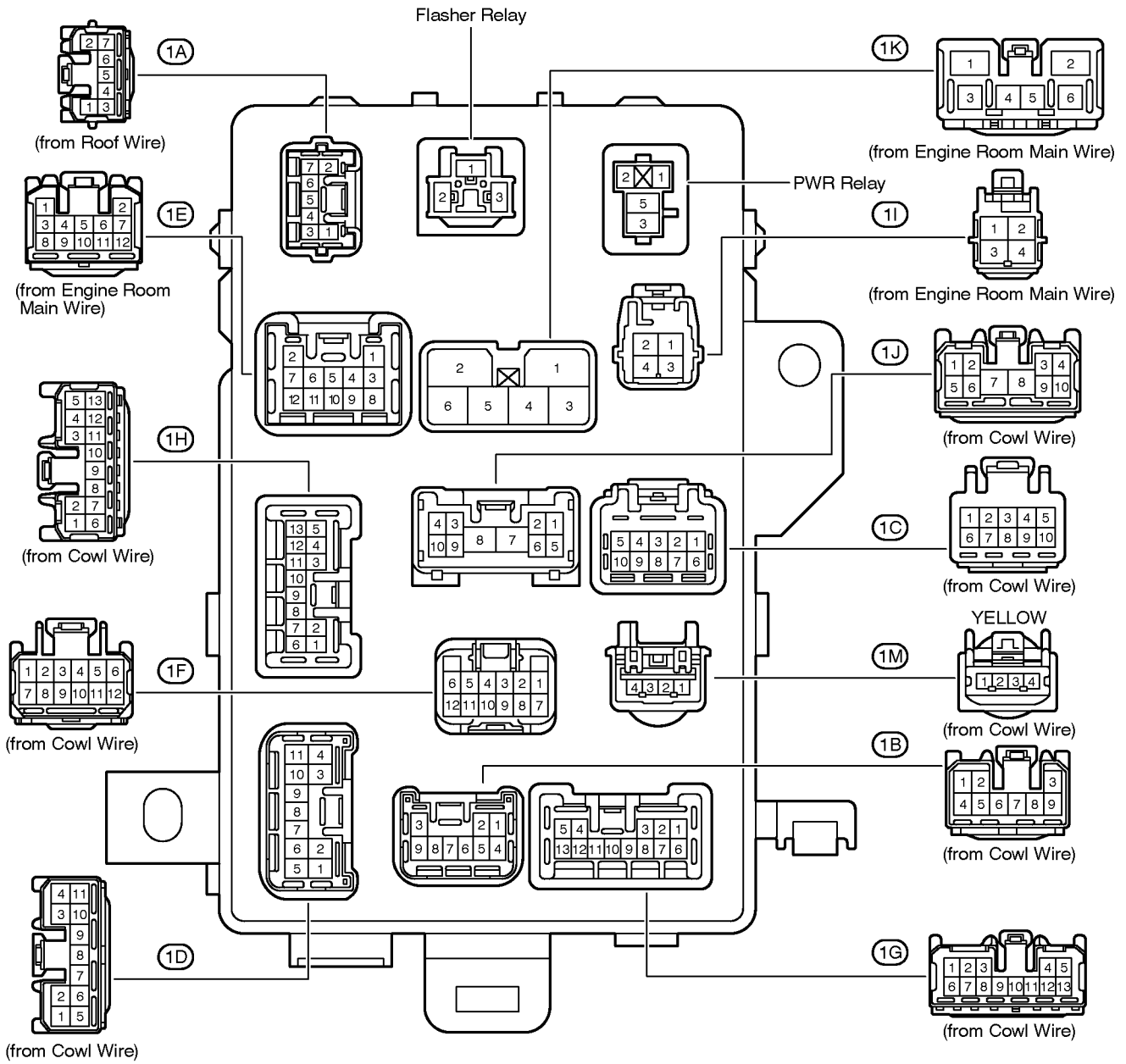
- *1 : 50A J/B Fuse (for Medium Current)
- *2 : 50A HEATER Fuse (for Medium Current)
- *3 : 30A AM2 Fuse (for Medium Current)
- *4 : 40A AM1 Fuse (for Medium Current)
- *5 : HEAD(HI RH) (w/ Daytime Running Light) or HEAD(RH) (w/o Daytime Running Light)
- *6 : HEAD(HI LH) (w/ Daytime Running Light) or HEAD(LH) (w/o Daytime Running Light)



F RELAY LOCATIONS

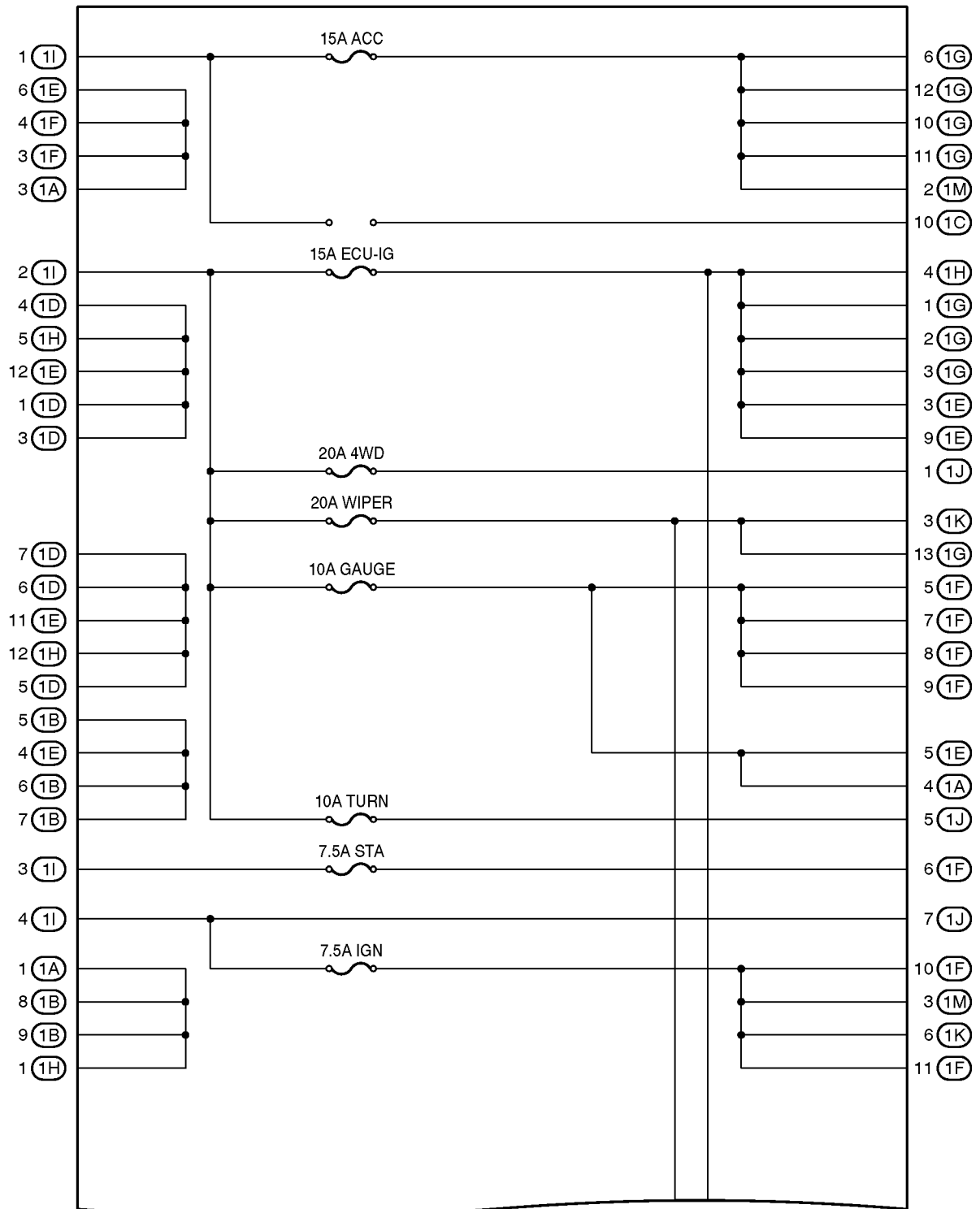
○ : J/B No.1 Lower Finish Panel (See Page 20)





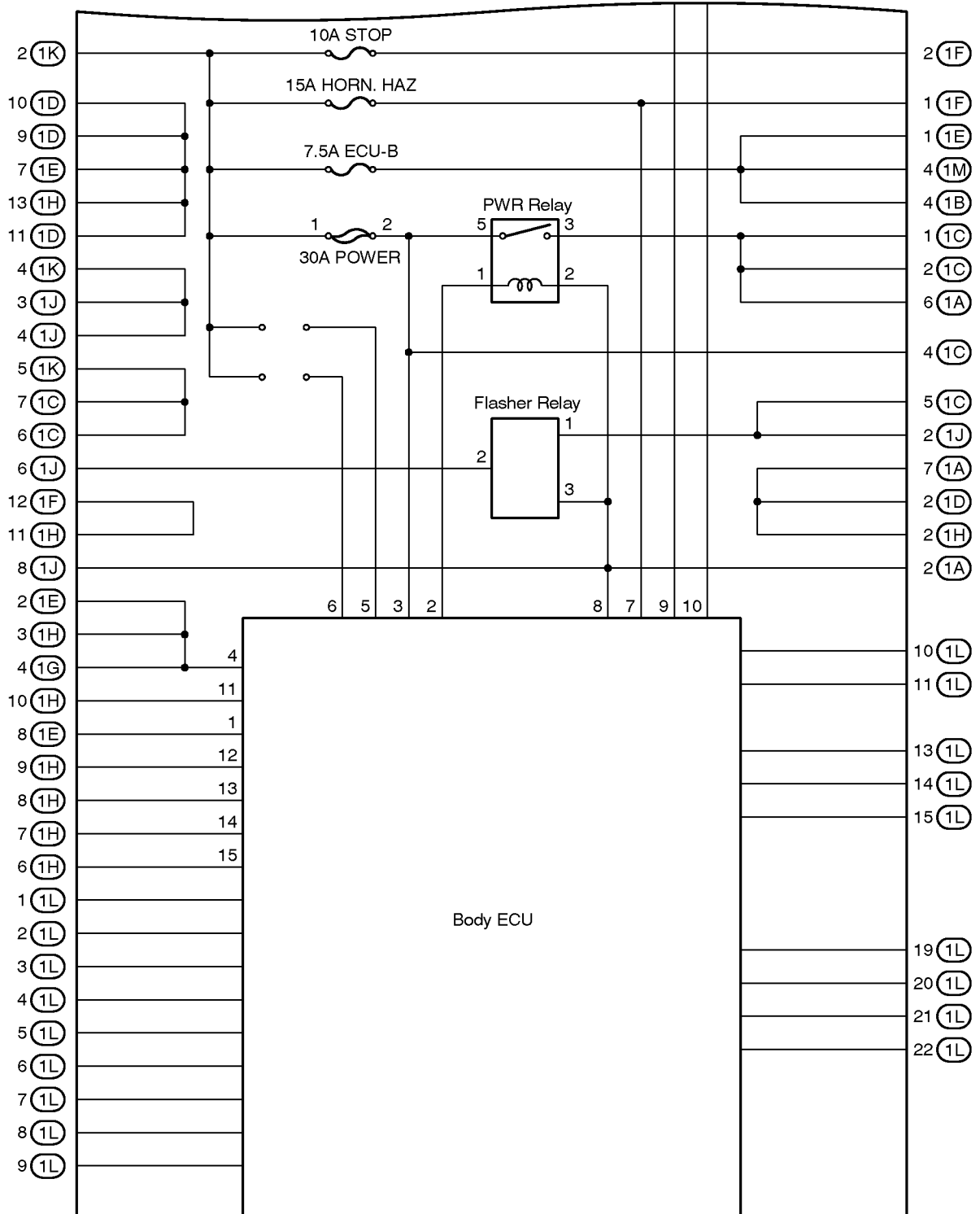
F RELAY LOCATIONS

[J/B No.1 Inner Circuit]



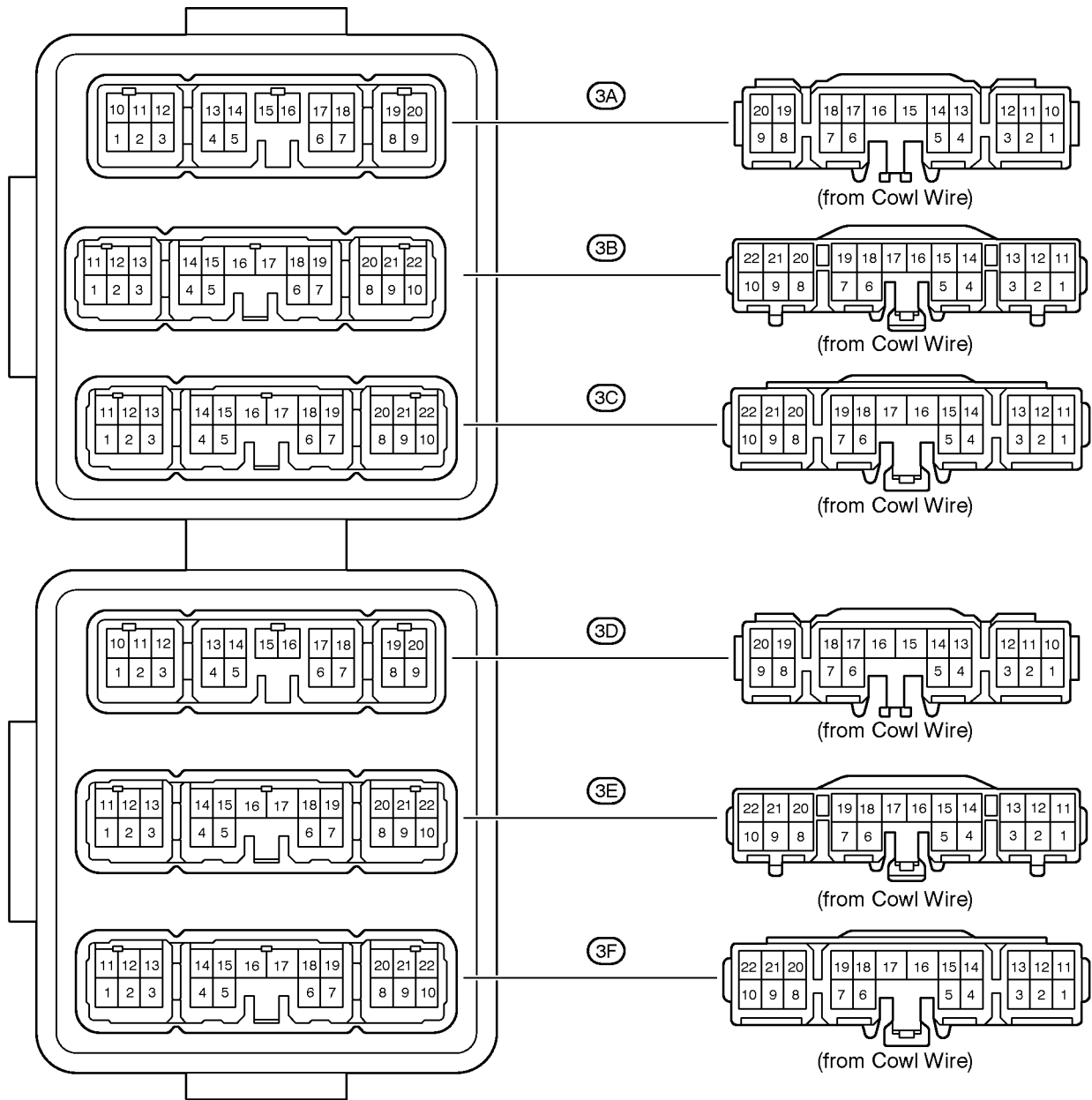
(Cont. next page)

(Cont' d)

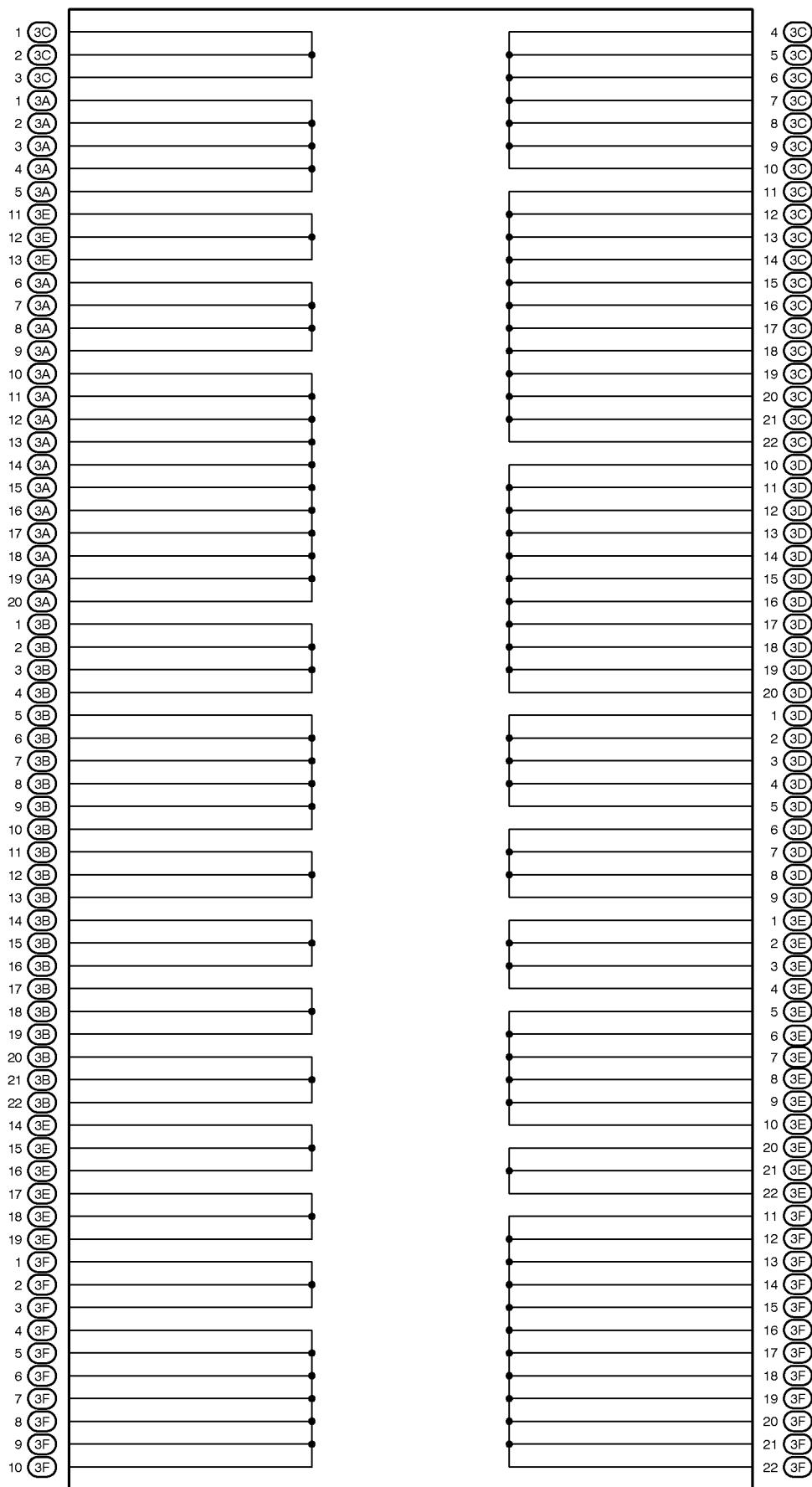


F RELAY LOCATIONS

○ : J/B No.3 Behind the Instrument Panel Left (See Page 20)

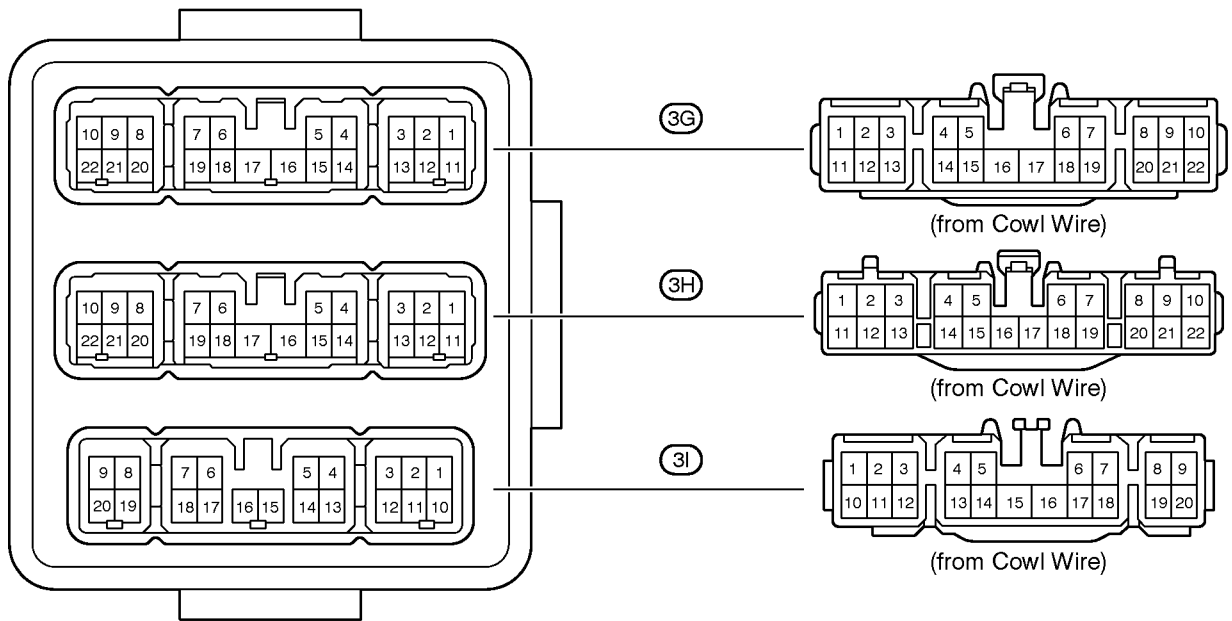


[J/B No.3 Inner Circuit]



F RELAY LOCATIONS

○ : J/B No.3 Behind the Instrument Panel Center (See Page 20)



[J/B No.3 Inner Circuit]

