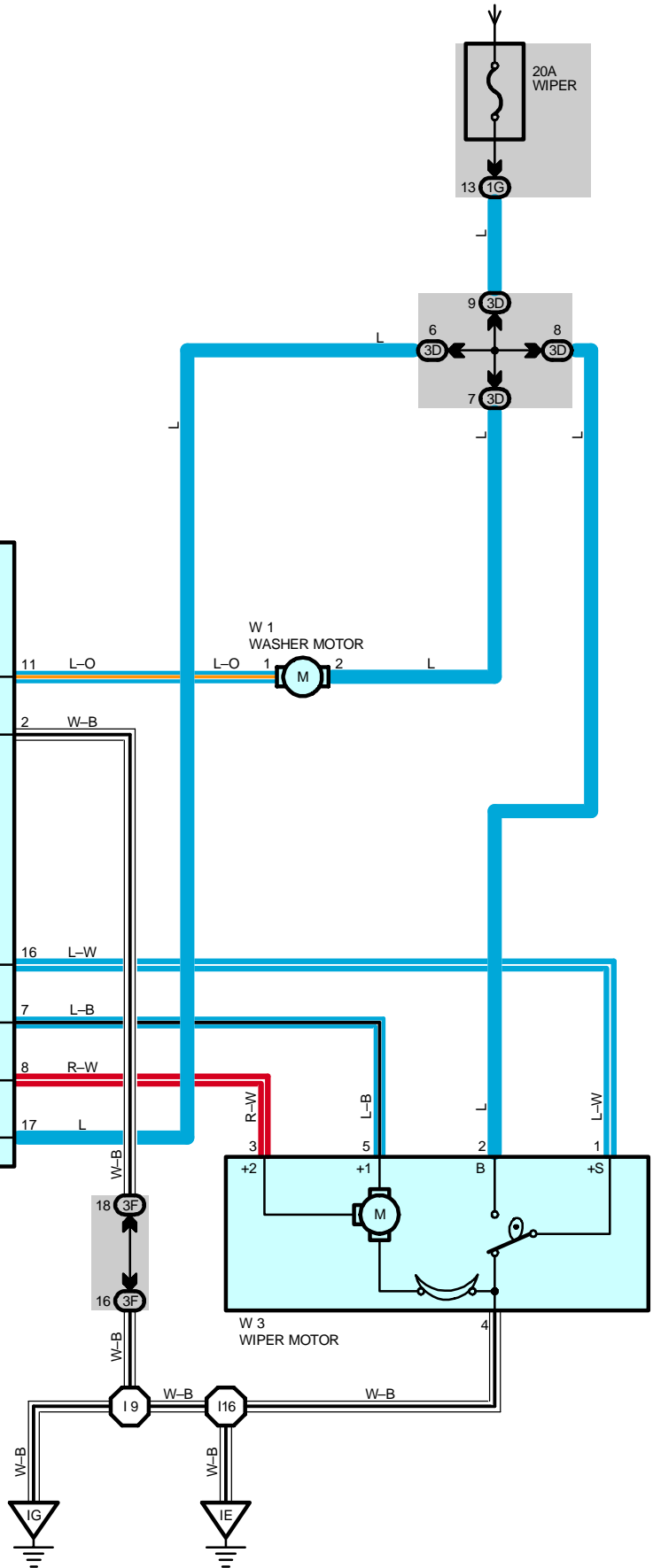
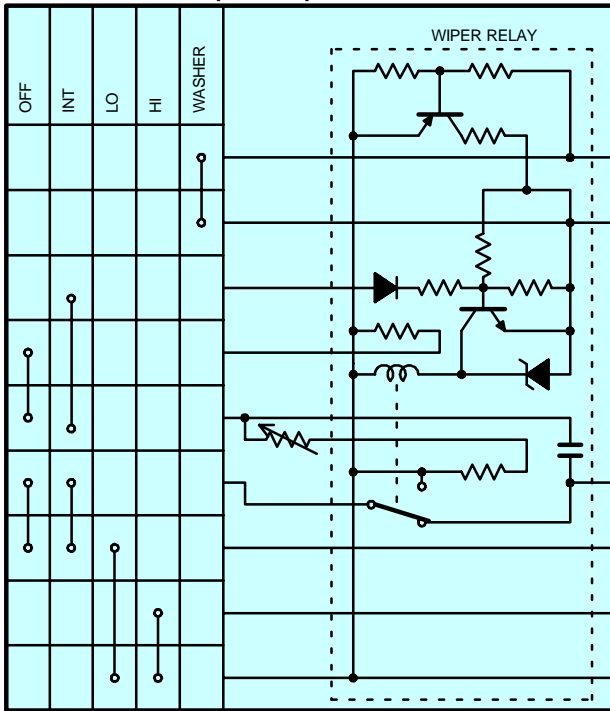


# WIPER AND WASHER (w/ INT TIME SW MECHANISM)

FROM POWER SOURCE SYSTEM (SEE PAGE 54)

C15  
WIPER AND WASHER SW [COMB. SW]



## SYSTEM OUTLINE

With the ignition SW turned on, current flows to TERMINAL 17 of the wiper and washer SW, TERMINAL 2 of the washer motor and TERMINAL 2 of the wiper motor through the WIPER fuse.

### 1. LOW SPEED POSITION

With wiper SW turned to LOW position, current flows from TERMINAL 17 of the wiper and washer SW to TERMINAL 7 to TERMINAL 5 of the wiper motor to TERMINAL 4 to GROUND and causes the wiper motor to run at low speed.

### 2. HIGH SPEED POSITION

With wiper SW turned to HIGH position, current flows from TERMINAL 17 of the wiper and washer SW to TERMINAL 8 to TERMINAL 3 of the wiper motor to TERMINAL 4 to GROUND and causes the motor to run at high speed.

### 3. INT POSITION

With wiper SW turned to INT position, the relay operates and the current which is connected by relay function flows from TERMINAL 17 of the wiper and washer SW to TERMINAL 2 to GROUND. This flowing the intermittent circuit and current flows from TERMINAL 17 of the wiper and washer SW to TERMINAL 7 to TERMINAL 5 of the wiper motor to TERMINAL 4 to GROUND and the wiper functions.

The intermittent operation is controlled by charging and discharging of the condenser installed in the relay and the intermittent time is controlled by a time control SW to change the charging time of the condenser.

### 4. WASHER CONTINUOUS OPERATION

With the washer SW turned to on, current flows from TERMINAL 2 of the washer motor to TERMINAL 1 to TERMINAL 11 of the wiper and washer SW to TERMINAL 2 to GROUND and causes to the washer motor to run, and the window washer is jetted.

This causes current to flow to washer continuous operation circuit in TERMINAL 17 of the wiper and washer SW to TERMINAL 7 to TERMINAL 5 of the wiper motor to TERMINAL 4 to GROUND and the wiper functions.

## SERVICE HINTS

### C15 WIPER AND WASHER SW [COMB. SW]

2-GROUND : Always continuity

17-GROUND : Approx. 12 volts with ignition SW at **ON** position

7-GROUND : Approx. 12 volts with wiper and washer SW at **LOW** position

Approx. 12 volts every 3 to 12 seconds intermittently with wiper SW at **INT** position

16-GROUND : Approx. 12 volts with ignition SW on unless wiper motor at **STOP** position

8-GROUND : Approx. 12 volts with ignition SW on and wiper and washer SW at **HIGH** position

11-2 : Continuity with washer SW on

### W3 WIPER MOTOR

1-2 : Closed unless wiper motor at **STOP** position

## ○ : PARTS LOCATION

Code	See Page	Code	See Page	Code	See Page
C15	34	W1	33 (3RZ-FE, 2RZ-FE)	W3	33 (3RZ-FE, 2RZ-FE)
W1	31 (5VZ-FE)	W3	31 (5VZ-FE)		

## ○ : JUNCTION BLOCK AND WIRE HARNESS CONNECTOR

Code	See Page	Junction Block and Wire Harness (Connector Location)
1G	23	Cowl Wire and J/B No.1 (Lower Finish Panel)
3D	24	Cowl Wire and J/B No.3 (Behind the Instrument Panel Left)
3F		

## ▽ : GROUND POINTS

Code	See Page	Ground Points Location
IE	44	Around the Right Edge of the Reinforcement
IG	44	Around the Left Edge of the Reinforcement

## ○ : SPLICE POINTS

Code	See Page	Wire Harness with Splice Points	Code	See Page	Wire Harness with Splice Points
I9	44	Cowl Wire	I16	44	Cowl Wire